

# Long Range Retro-Reflective Photoelectric Beam

Polarised retro-reflective photoelectric beam

## Features

- Long range beam, 12 metres outdoor
- Input Voltage 12 - 250V AC/DC
- Polarised retro reflective type
- Polycarbonate weatherproof casing
- Optional cover for reflector, HD-15
- Rugged all weather design (IP-66)
- LED indicator beam alignment
- Tamper switch



## Application

- Sliding Gates, Swing Gates or Garage Doors
- Overhead Doors, Conveyers or Door Entrance
- Boom Gates, Alarm System or Warehouse Monitoring

PE1500

## Description

The PE1500 is a polarised ultra sensitive, long range, retro-reflective photoelectric beam. The sensor module uses a modulated beam which stops interference from the sun and can be used outdoors to 12 metres. It works with any Elsema type automatic gate or door controller cards used on sliding, swing or roller doors. It is used as a safety device to control automatic gates and doors.

With IP66 rated case the PE1500 is ideal for outdoor installations. The polycarbonate casing provides protection again sun damage.

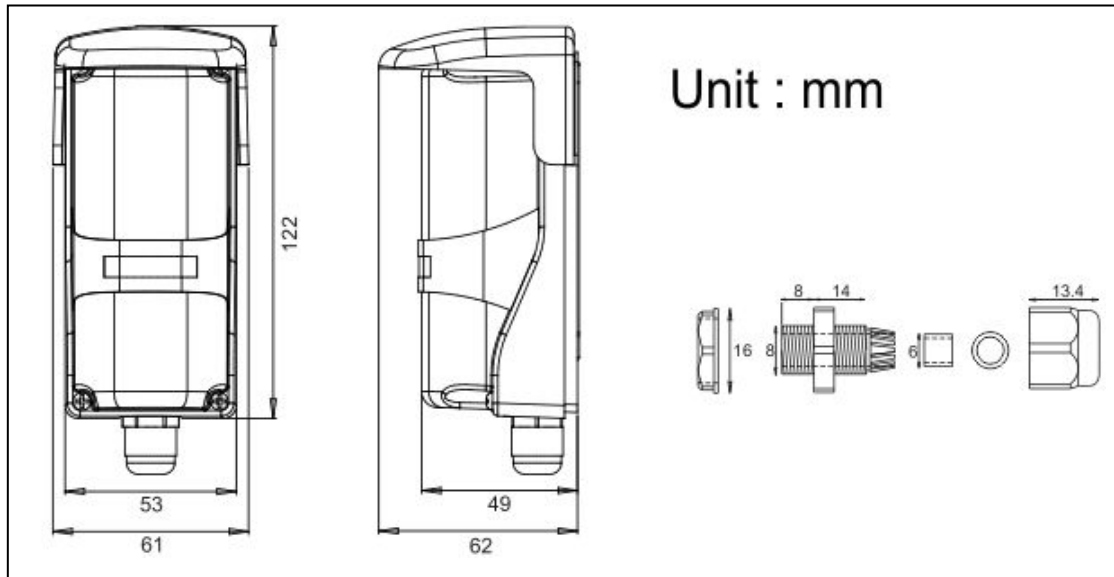
Optional HD-15 hood for the reflector is available.

## Technical Data

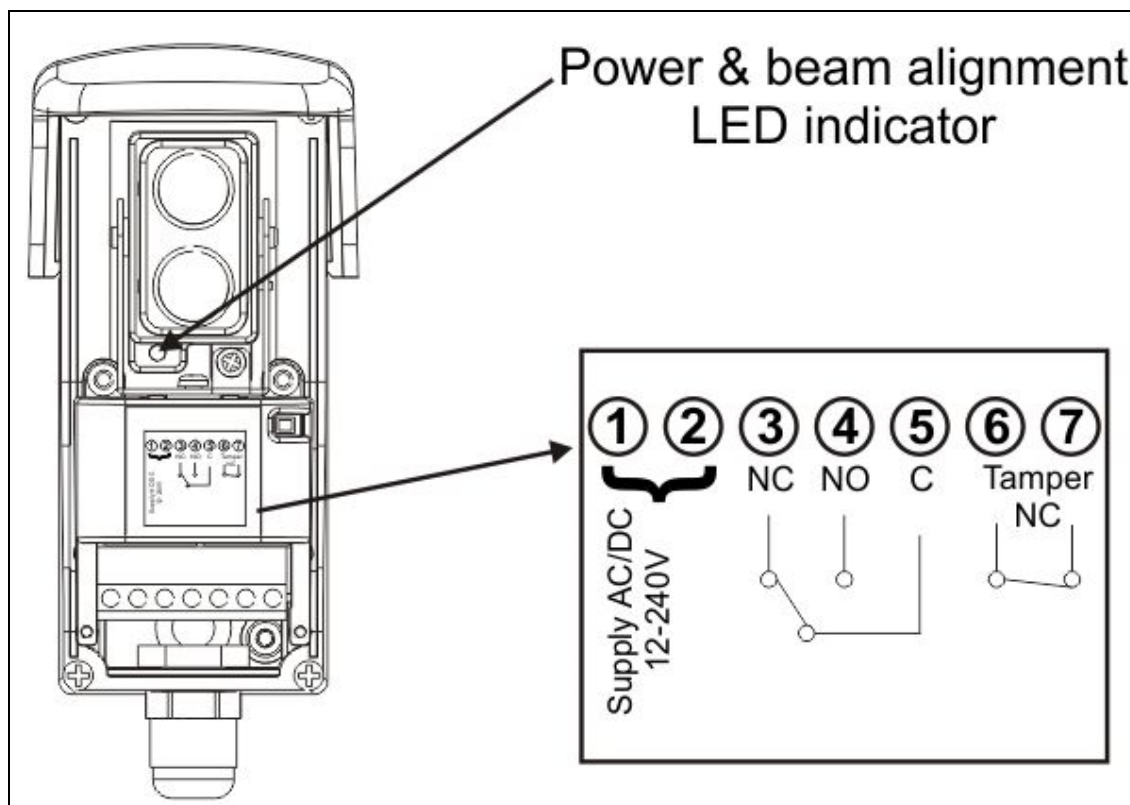
<b>Power Source</b>	12 to 250 Volts AC/DC
<b>Standby</b>	19mA at 24Volts DC
<b>Response Time</b>	10 millisecond
<b>Connection</b>	Plug in type terminal block
<b>Additional feature</b>	Normally closed (NC) Tamper output.
<b>Operating Temperature</b>	-20°C to 60°C
<b>Relay Output</b>	Common, Normally Open or Normally Close: 0.5 Amps / 120VAC
<b>Useable Operating Range</b>	18 metres indoor and 12 metres outdoor range
<b>Dimensions</b>	122 (L) x 61(W) x 62(D) mm.

**LED Status**

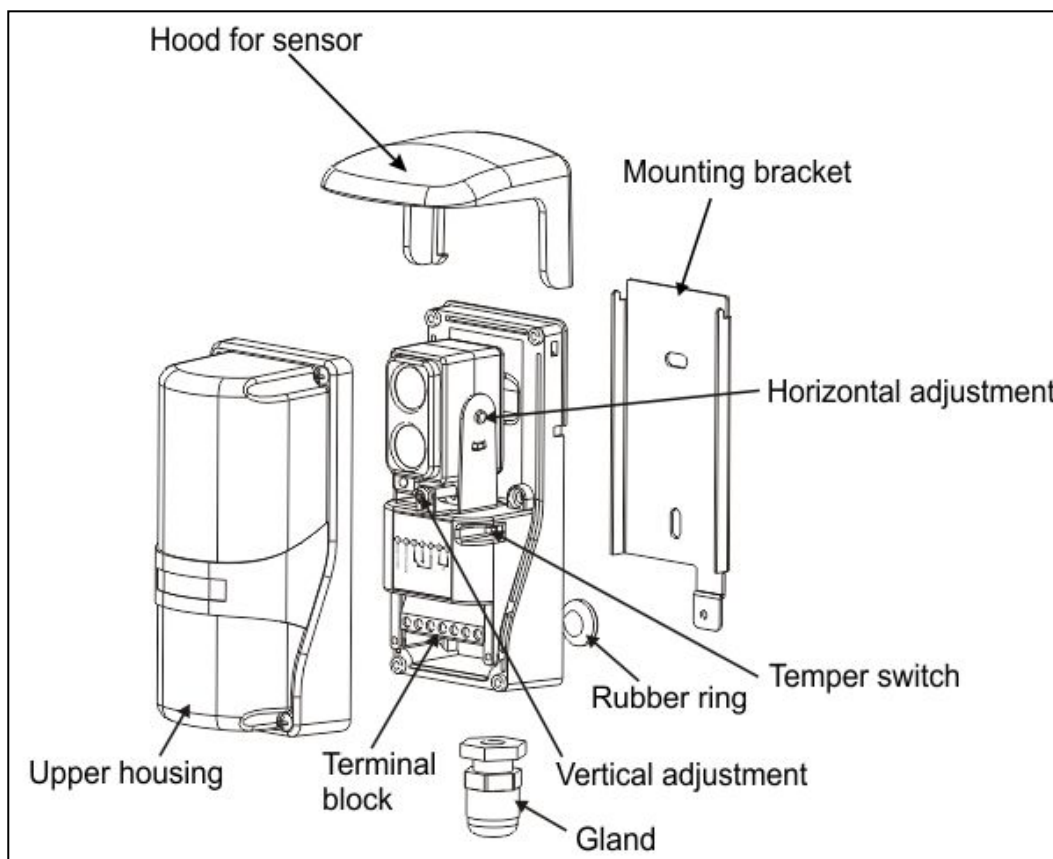
<b>LED Status</b>	<b>Red</b>	<b>Green</b>
<b>On</b>	Beam is broken	Beam is properly aligned
<b>Off</b>	Beam is aligned	<b>xx</b>
<b>Flashing</b>	Beam alignment poor	<b>xx</b>

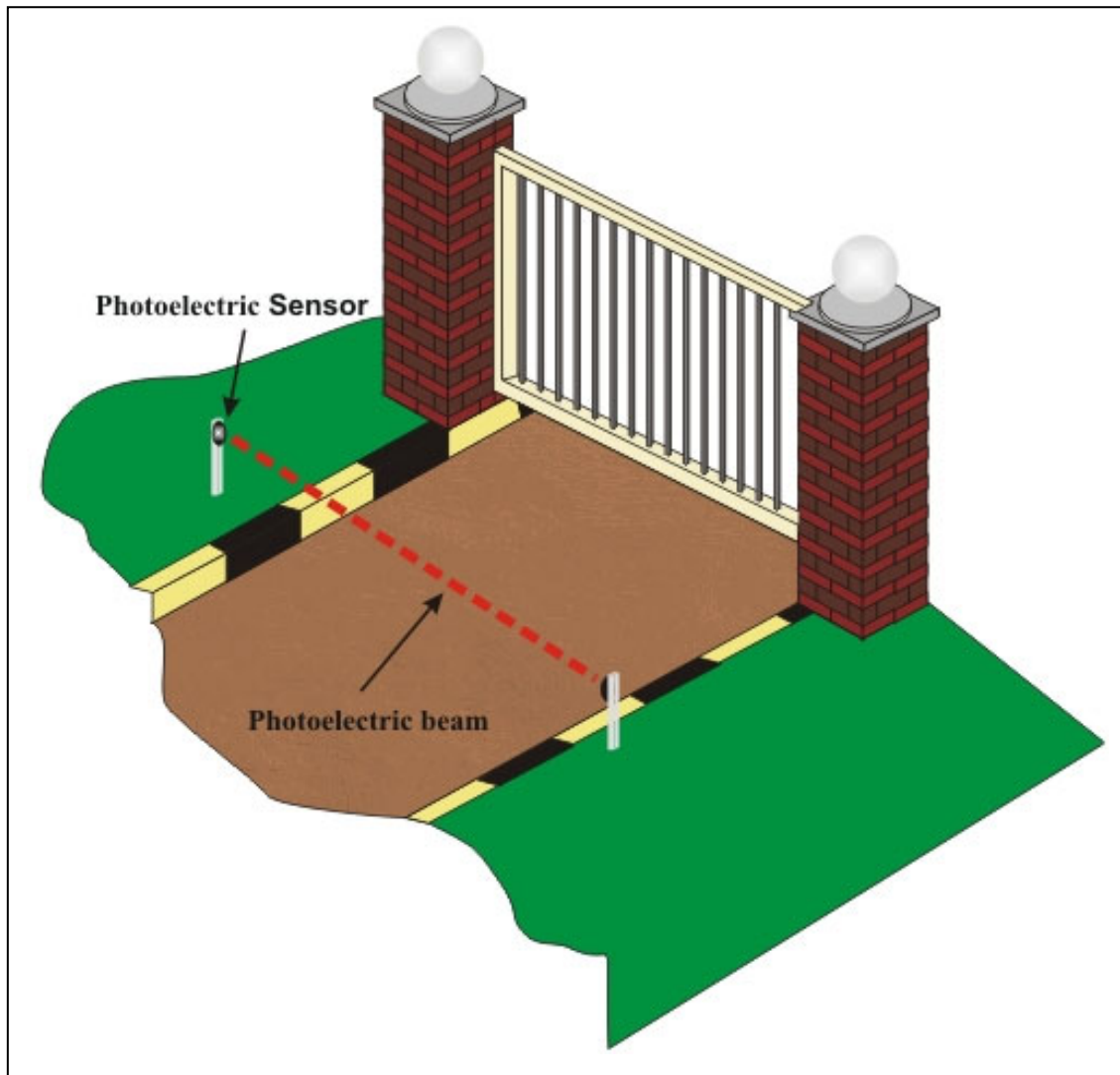
**Accessory**Reflector Hood. Part number **HD-15****PE1500 Dimensions**

**PE1500 Wiring Diagram**



**PE1500 parts**



**PE1500 Application****Manufactured by**

**Elsema Pty Ltd**  
31 Tarlington Place, Smithfield  
NSW 2164, Australia  
Ph: 02 9609 4668  
Website: <http://www.elsema.com>

**Distributed by**