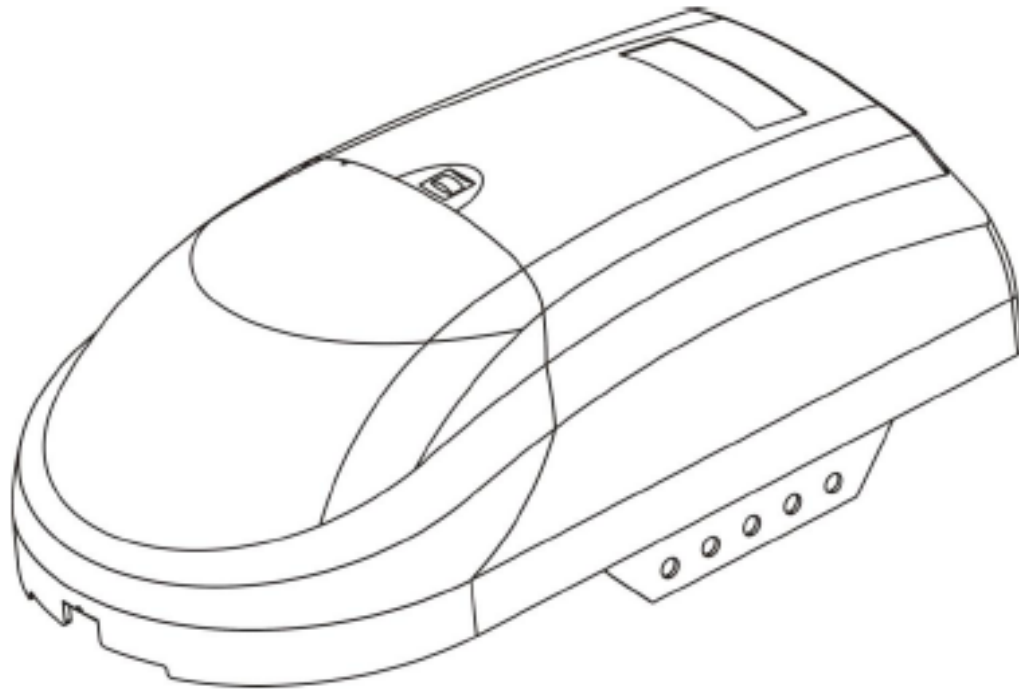


EuroGlide Sectional and Tilting Door Opener Installation Instructions and User Guide




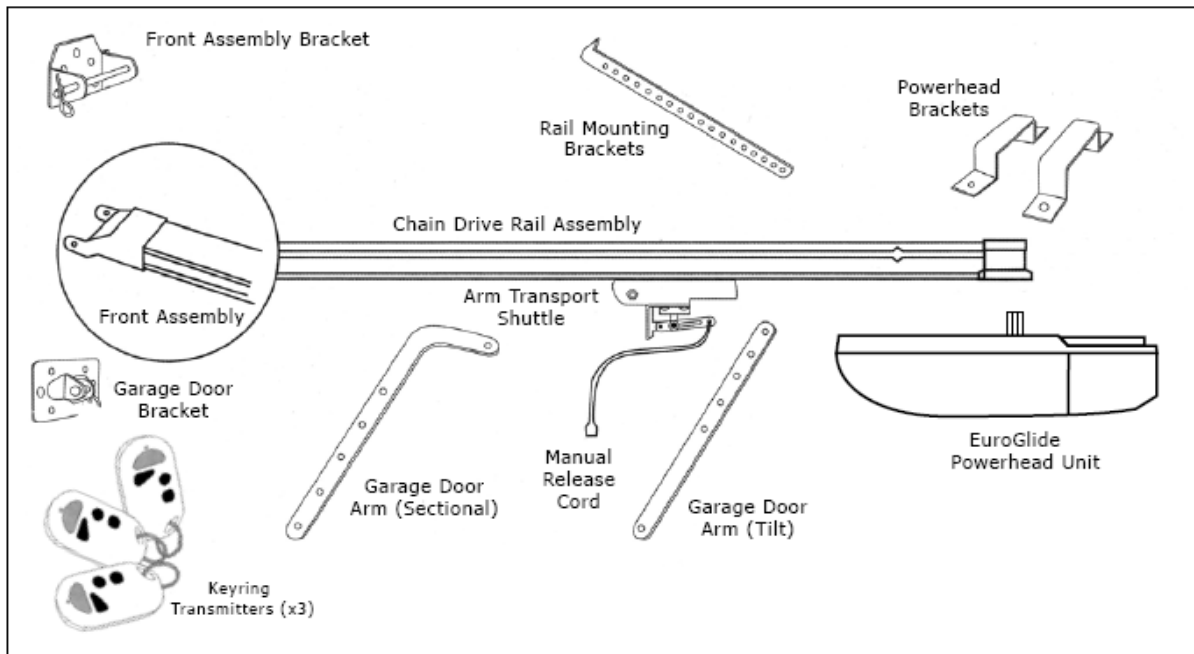
WARNING Please read the manual carefully before installation and use. The installation of your new EuroGlide door opener must be carried out by a technically qualified or licensed person. Attempting to install or repair the door opener without suitable technical qualification may result in severe personal injury, death and / or property damage.

INSTALLER'S PLEASE ENSURE CUSTOMER RECIVES THIS COPY OF INSTALLATION MANUAL



MOTORIZED SOLUTIONS
AUSTRALIA
www.acdcms.com.au

 N13655



CONTENTS

| | |
|---------------------------------------|----|
| Important Safety Recommendations..... | 1 |
| Product Description..... | 2 |
| Accessory Description..... | 3 |
| Installation Recommendations..... | 4 |
| Installation..... | 5 |
| Programming the EuroGlide Opener..... | 6 |
| Programming Accessory Modes..... | 7 |
| PCB Layout..... | 8 |
| Parts List..... | 9 |
| Using the Manual Disengagement..... | 10 |
| Routine Maintenance..... | 11 |
| Technical specifications..... | 12 |
| Information for the User..... | 13 |
| Warranty Conditions..... | 14 |

Important safety recommendations



FAILURE TO COMPLY WITH THE FOLLOWING SAFETY RECOMMENDATIONS MAY RESULT IN SERIOUS PERSONAL INJURY, DEATH AND / OR PROPERTY DAMAGE.

1. PLEASE READ CAREFULLY AND ADHERE TO ALL SAFETY AND INSTALLATION RECOMMENDATIONS.

2. The opener is designed and manufactured to meet local regulations. The installer must be familiar with local regulations required in respect of the installation of the opener.

3. Unqualified personnel or those persons who do not know the occupational health and safety standards being applicable to automatic doors and other gates, must in no circumstances carry out installations or implement systems.

4. Persons who install or service the equipment without observing all the applicable safety standards will be responsible for any damage, injury, cost, expense or claim whatsoever any person suffered as a result of failure to install the system correctly and in accordance with the relevant safety standards and installation manual whether directly or indirectly.

5. For additional protection we strongly recommend the inclusion of a Safety Photo Beam. Although the opener incorporates a Safety Obstruction Force system the addition of Photo Beam will greatly enhance the operating safety of an automatic garage door and provide additional peace of mind.

6. Make sure that the garage door is fully open & stationary before driving in or out of the garage.

7. Make sure the garage door is fully closed & stationary before leaving.

8. Keep hands and loose clothing away from the opener and garage door all the time.

9. The Safety Obstruction System is designed to work on stationary objects only. Serious personal injury, death and / or property damage may occur if the garage door comes into contact with a moving object.

10. Children should be supervised to ensure that they do not play with the Remote Controls, the Door Opener itself or the Wall Switch (if fitted).

11. If the supply cord is damaged, it must be replaced by the manufacturer, its service agent or similarly qualified persons in order to avoid a hazard.

12. Watch the moving door and keep people, animals and objects away until the door is completely opened or closed.

13. Take care when operating the manual release since an open door may fall rapidly if the door is out of balance or not tensioned correctly.

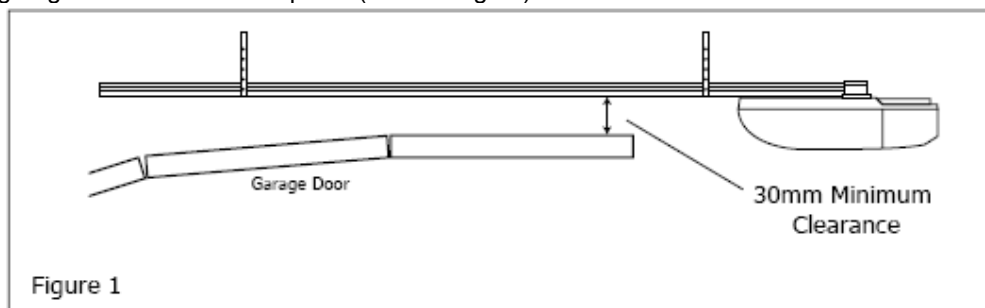
14. Frequently examine the installation, in particular check cables, springs and mountings for signs of wear, damage or imbalance. Do not use if repair or adjustment is needed since a fault in the installation or an incorrectly balanced door may cause injury. Each month check that the door reverses when the door contacts a 50 mm high object placed on the floor. Adjust if necessary and recheck, as incorrect adjustment may present a hazard. Disconnect the supply when cleaning or carrying out maintenance.

Product Description

1. Soft start, soft stop to minimise start-up load on the garage door opener and garage door.
2. Opening & Closing Obstruction Force self-adjustment.
3. ISS (Intelligent Safety System) When the door is closing it will automatically reverse should it come in contact with an obstruction or is restricted in some manner.
4. Auto Close facility available.
5. Wall Switch facility available.
6. Safety Photo Beam facility available.
7. Secure Rolling Code Transmitter/Receiver combination.
9. Battery Backup facility available, in case of power failure.
10. Remote Digital Entrance Keypad option.
11. Convenient Open/Stop/Close pushbutton (O/S/C) on operator cover.
12. Hand transmitter lock out facility
13. Sturdy metal chassis construction.

Pre-installation recommendations

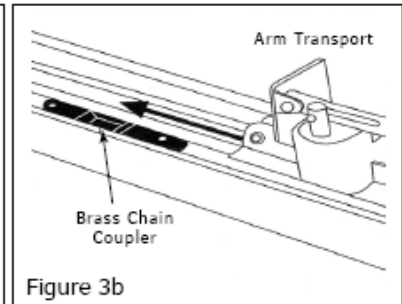
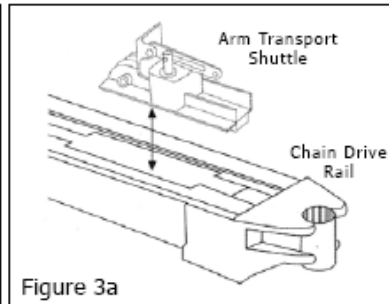
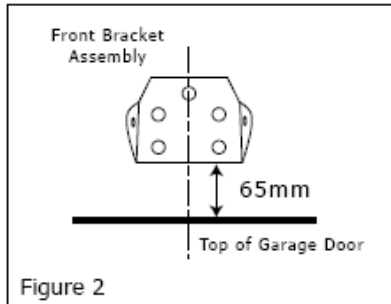
1. The garage door must be able to be lifted and closed easily by hand and without much effort. A well balanced & sprung door is critical for proper installation.
2. The garage door opener cannot compensate for a badly installed garage door and should not be used as a solution for a 'hard to open' door.
3. If the unit is being installed on an existing door, make sure any existing locking devices are removed or warranty will be void.
4. An approved 240v mains outlet must be installed near where the opener is being installed.
5. There should be a minimum gap of 30mm between the bottom of the chain drive rail and the top of the garage door at it's closest point. (refer to Fig. 1.)



6. Failure to comply with these pre-checks will void any warranty.

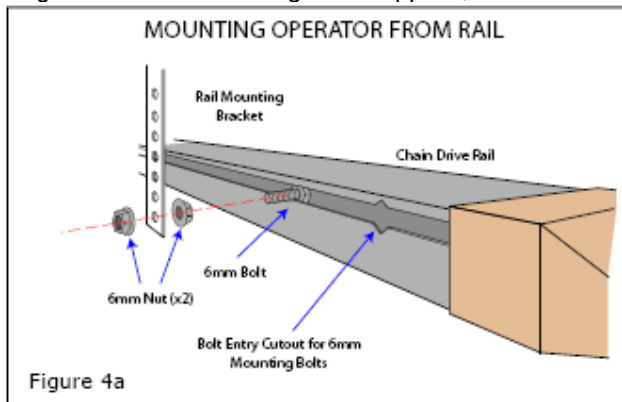
Installation Procedure

STEP 1 (Fig. 2) Close the garage door and measure the garage door width at the top, and mark the centre. Locate and mount the front assembly bracket approximately 65mm above the door on the inside wall.



STEP 2 (Fig. 3a & b) Insert the Arm Transport Unit (Shuttle) into the cut-out at the end of the chain drive rail. Be sure it faces the right direction (the disconnection arm on the shuttle faces towards the Powerhead). Slide the shuttle along the rail until it locks into place with the brass chain coupler. Move the whole shuttle assembly to the centre of the drive rail.

STEP 3 (Fig. 4) Using the 6mm hexagon head Rail Mounting bolts supplied, slide 2 bolts in each side of the



rail through the cutouts provided.

STEP 4 (Fig. 4) Attach the Powerhead (with the control panel facing the door) to the chain drive rail, ensuring the drive spindle is engaged into the chain drive. Assemble the two mounting brackets with the 6mm nuts supplied. Note: The wider bracket fits nearest the drive spindle.

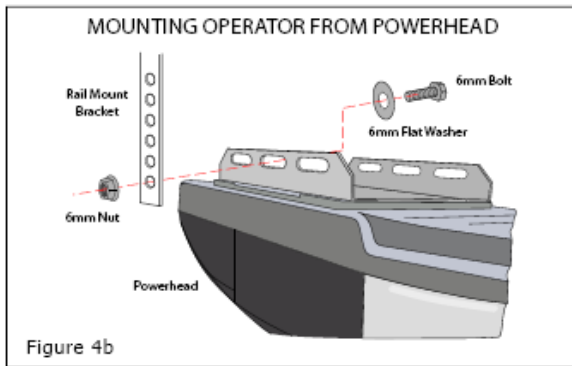


Figure 4b

STEP 5 (fig. 5) Place the chain drive rail and powerhead assembly centrally on the garage floor, with the powerhead furthest away from the door. Lift the front of the drive rail up to the front bracket assembly that has been mounted above the garage door. Insert the main pivot pin through the assembly and secure it with the split pin supplied.

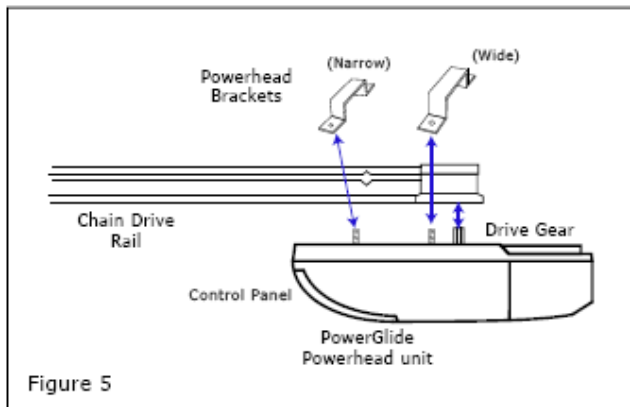


Figure 5

STEP 6 (Fig. 6) Lift and support the powerhead (with a ladder) so it is positioned centrally and level. Using the brackets supplied, mount the powerhead by attaching to the ceiling rafters or rafter noggins. There are many mounting options, however the recommended method is to use the mounting rails on the side of the powerhead, as well as the support of the chain drive rail side mounting bolts. **IMPORTANT NOTE:** In any installation the chain drive rail must be supported halfway along its length to prevent any flex in the drive rail assembly. Failure to do so will void any warranty.

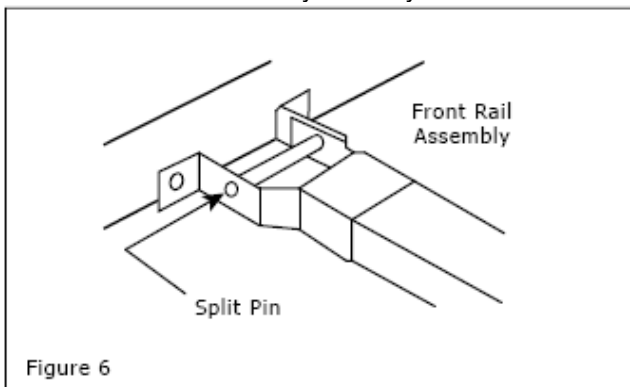


Figure 6

WARNING: Do not allow children around the door, opener or supporting ladder. Serious injury and/or damage may result from failure to follow this warning.

STEP 7 (Fig. 7) Attach the manual disengagement cord to the shuttle assembly. This should be set at a reachable height of approx. 1.8metres. Pull the cord down to free up the shuttle, and then slide the shuttle towards the closed garage door. Select and attach the appropriate door connecting arm to the shuttle, then attach the garage door bracket to the other end. Position and bolt the bracket to the top edge of the door using the bolts supplied.

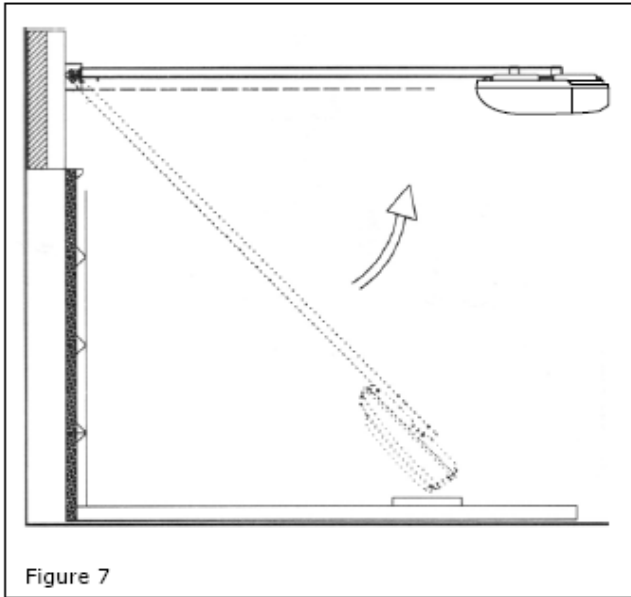


Figure 7

(Fig. 8) Lift the garage door until the shuttle locks back into the drive chain. Attach the travel limit bracket to the chain drive rail towards the powerhead, and tighten the bolts on the assembly. **IMPORTANT NOTE:** The travel limit bracket prevents over travelling of the door when in manual operation. Failure to fit this bracket will void any warranty should the door come in con-tact with the powerhead.

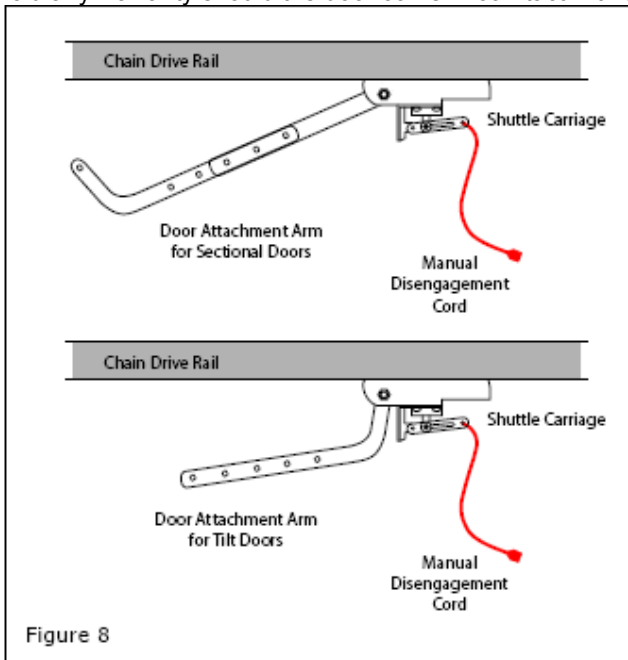


Figure 8

(Fig. 9) Lift the garage door until the shuttle locks back into the drive chain. Attach the travel limit bracket to the chain drive rail towards the powerhead, and tighten the bolts on the assembly. **IMPORTANT NOTE:** The travel limit bracket prevents over travelling of the door when in manual operation. Failure to fit this bracket will void any warranty should the door come in contact with the powerhead. Installation is now complete, and you are now ready to program the unit.

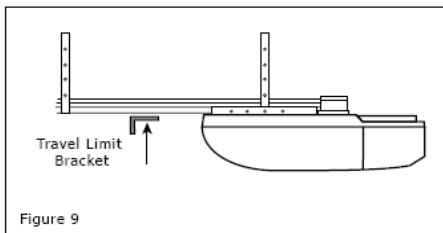
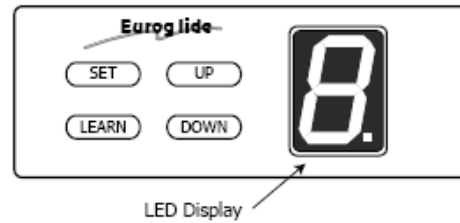


Figure 9

Programming the Euro Glide

6.1 PROGRAMMING CONTROLS

- SET** = Mode Set & Confirm Functions
- LEARN** = Transmitter Code Set & Clear Function
- UP** = Up Limit Function
- DOWN** = Down Limit Function



6.2 PROGRAMMING OPEN & CLOSE LIMITS



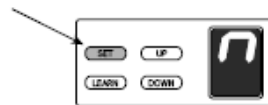
- 2a Press and hold **SET** until **1** is indicated on the LED display (the opener is now in programming mode)
- 2b Press and hold **UP** to set the OPEN limit, release the button when the door has reached the desired position.

Note: If the door has overrun the open position, press **DOWN** to move the door downwards. **UP** & **DOWN** can be used to make fine position adjustments.



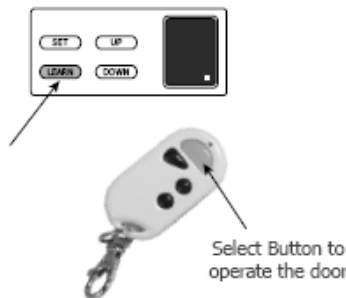
- 2c Press **SET** to confirm the OPEN limit position. The LED display will now indicate the number **2**.
- 2d Press and hold **DOWN** to set the CLOSE limit, release the button when the door has reached the desired position.

Note: If the door has overrun the close position, press **UP** to move the door upwards. **UP** & **DOWN** can be used to make fine position adjustments.



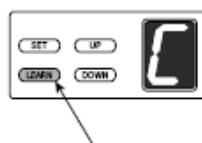
- 2e Press **SET** to confirm the CLOSE limit position.
CAUTION:
The door will now do a complete open & closed cycle to map its end of travel limits, and set its sensitivity requirements. The door is now set for normal operation.

6.3 PROGRAMMING HAND TRANSMITTERS



- 3a **Storing the Hand Transmitters**
Press and release **LEARN**. A dot will be indicated in the corner of the LED display.
- 3b Press the button (one of four) on the transmitter you would like to use to control the door for 2 seconds, pause for 2 seconds, then press the same button again on the transmitter for 2 seconds.
The Dot in the corner of the display will flash to confirm the code, then turn off. Repeat this process for additional remotes that need to be stored.

Note: The POWERGLIDE operator is fitted with 'Last Code Delete' which means that only one button per Transmitter can be stored to operate the unit. This function prevents over coding stored transmitters when there are multiple users accessing the same garage door. The other three buttons on the transmitter can be programmed to access automatic gates, security or courtesy lights, etc.



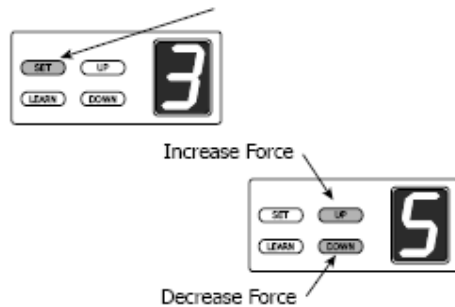
- 3c **Deleting Stored Transmitters**
Press and hold **LEARN** for 10 seconds, until **C** flashes on the LED display. This indicates that all stored transmitters have been deleted.

6.4 ADJUSTING OBSTRUCTION FORCE SENSITIVITY

Note: The force sensitivity is only operational in the **CLOSING** direction. If the door meets an obstruction while closing, it will stop and reverse open 10~15cm.

The Obstruction Force setting is automatically determined and set in the memory of the EuroGlide opener. Usually it is not necessary to adjust the sensitivity of the Obstruction Force. In extreme cases, the force sensitivity can be pre-selected to increase or decrease the adjustment.

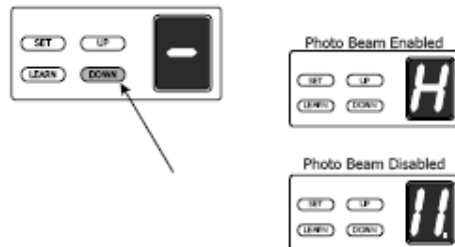
Please note that the door should be checked to ensure spring tension is adequate before adjusting the Obstruction Force sensitivity.



- 4a Press and hold **SET**.
The LED display will cycle through mode settings 1 to 4. When Mode 3 appears on the LED display, release **SET**. The unit is now in Force adjustment mode.
- 4b Press **UP** to increase force setting. Press **DOWN** to decrease force setting. Maximum force setting is Level 9. Minimum force setting is Level 1. Once required force setting is selected, press **SET** to confirm.

6.5 ACCESSORY MODES

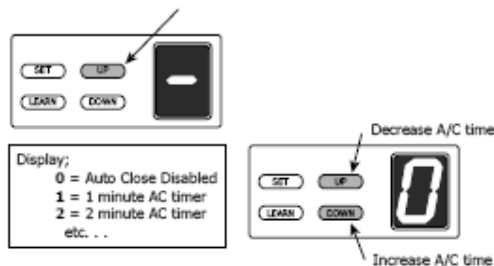
The EuroGlide opener has 3 selectable accessory modes; Photo Electric Safety Beams, Automatic Closing and Door Lock.



- 5a **Photo Electric Safety Beam**
Press and hold **DOWN** until a horizontal bar is indicated on the LED display. Press **UP** to enable the Photo Beam (**H** will be displayed). Press **DOWN** to disable the Photo Beam (**I I** will be displayed).

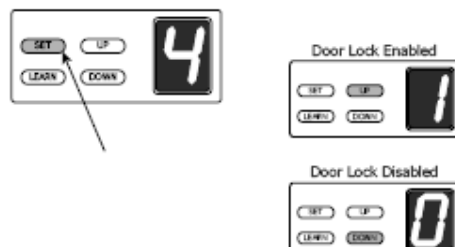
Press **SET** to confirm the setting.

Make sure the Photo Beam has been installed correctly and using Normally Closed contacts to the accessory terminal on the EuroGlide Operator. Refer to Page 7 - Electronic Connections (Fig.),



- 5b **Automatic Closing**
Press and hold **UP** until a horizontal bar is indicated on the LED display. Press **UP** again to set the Auto Close time (in minutes). Press **UP** to increase timer, or **DOWN** to decrease timer. To disable Auto Close, set timer to zero (**0**)

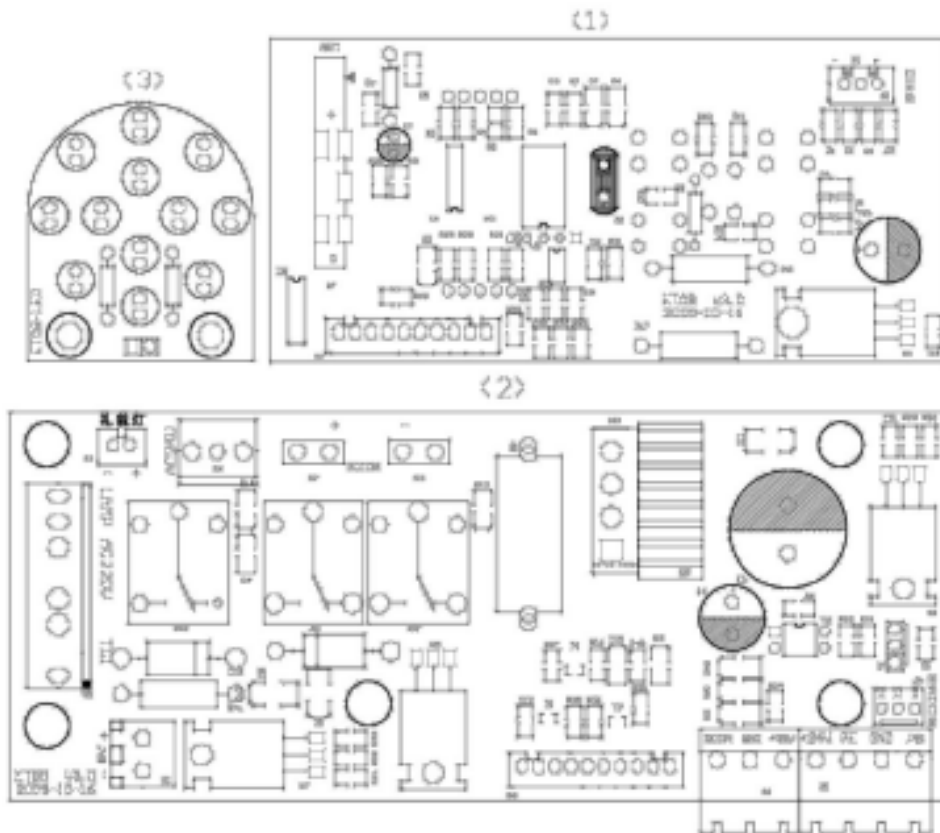
Press **SET** to confirm the setting.



- 5c **Door Lock Mode**
Press and hold **SET**.
The LED display will cycle through mode settings 1 to 4. When Mode 4 appears on the LED display, release **SET**. Press **UP** to enable the Door Lock (**1** will be displayed). Press **DOWN** to disable the Door Lock (**0** will be displayed).

Press **SET** to confirm the setting.

PCB Layout



Aluminum track accessory list

| Item | Quantity |
|-------------------------|----------|
| Clutch Components | 1 |
| Bracket for door panel | 1 |
| Bracket for track | 1 |
| Manual Release cord | 1 |
| Cord pendant | 1 |
| ∅ 1.8×38 Cotter pin | 2 |
| M6X14 hexagon head bolt | 6 |
| M6 flange | 6 |
| ∅ 8×25 axis pin | 1 |
| M8X16 hexagon head bolt | 4 |
| M8 flange | 4 |
| Motor bracket | 2 |
| ∅8*90 axis pin | 1 |
| 28×18 fixing kit | 1 |
| 10×15 fixing kit | 1 |

Manual disengagement

The opener is equipped with a manual release system to disengage the track shuttle so the door can be opened or shut by hand (Fig 12 & 13). Simply pull the handle and move the door to disengage the shuttle. To re-engage the door move the door by hand until the trolley re-engages in the chain shuttle.

Maintenance

No particular maintenance is required for the logic circuit board. Check the door at least twice a year to see if it is properly balanced, and all working parts are in good working condition. Check the reversing sensitivity at least twice a year, and adjust if it is necessary. Make sure that the safety devices are working effectively.

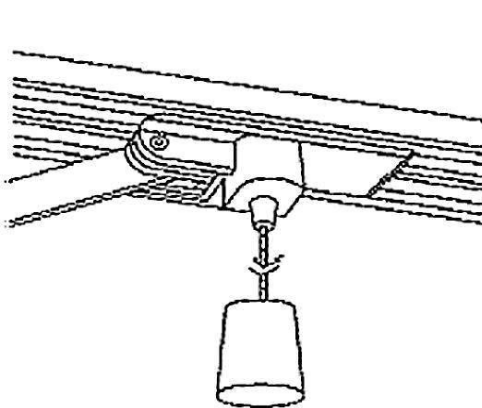


Fig.12

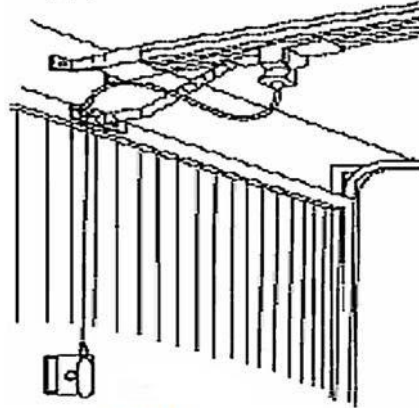


Fig. 13

EXTERNAL TERMINAL CONNECTIONS

The EuroGlide opener has a plug-on terminal block to connect any accessories to the opener.

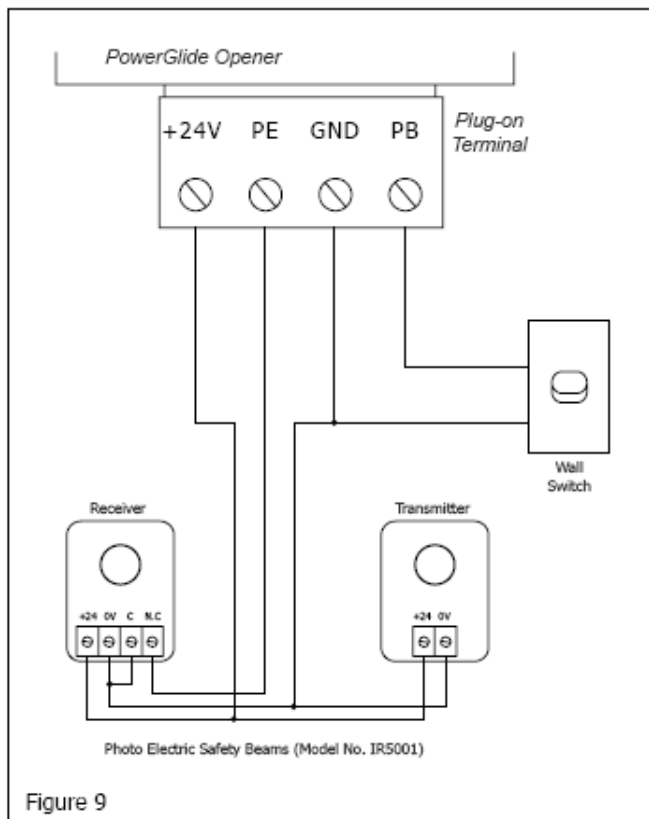


Figure 9

Figure 10 shows the wiring of a Wall Switch and Photo Electric Safety Beam (Model No.CDR999)

Terminals:

- +24V** 24V DC Power Output (Positive)
- PE** Photo Beam Input (N/C contact)
- GND** Ground (Common)
- PB** Push Button Input (Voltage free)

WALL SWITCH

A wall switch can be connected to terminals PB & GND. On activation of the wall switch, the door will open and close. The switch must be a voltage free, normally open contact.

PHOTO ELECTRIC SAFETY BEAM

A safety beam can be connected to terminals PE & GND. When an obstacle is between the beam, the door will not close. The recommended mounting height of the beam should be approx. 250mm from ground level, and as close to the door as possible. The location of the beam should be positioned to give the maximum protection possible.

WARNING: Ensure mains power cord is disconnected when terminating any accessory to the EuroGlide opener.

Technical specifications

Power Input: 240v ac 50hz
Protection Fuse: 3amps
Motor Power: 100w
Courtesy Light time:3 minutes
Working temperature: -20° to 60°C
Relative Humidity: <90%
Max force: 600N
Rated load: 300N
Radio frequency: 433.92 MHz
Sensitivity: >1 uV for correct receiver signal
Decoding: Rolling code
Hand Transmitter Battery: Type 23A 12V

Important information for the user

In some situations and if there is no other entrance other than the garage door, it is recommended that an external disengagement device should be fitted. Once the opener has been installed, the user must acquaint himself/herself about how it works and all the risks that can arise if it is used improperly. The user must avoid placing himself/herself in dangerous situations such as standing within the door's operating range when it is moving. **Do not** let children play near the door, and keep the remote controls out of their reach. All service repairs or checks must be carried out by professionally qualified persons. Please keep the Instruction Manual in a safe place.

Warranty Conditions

1. This warranty is in addition to any non-excludable conditions or warranties that are implied into this contract by relevant statute, including the Trade Practices Act 1974 (Cth).
2. Subject to all of the terms set out below, ACDC Motorized Solutions Pty Ltd ("ACDC") warrants (a) the PowerGlide overhead door opener drive units for twenty four (24) months; and (b) all components and accessories for twelve (12) months, from the date of purchase (specified in the tax invoice receipt) as free of any defects in material and workmanship.
3. This warranty applies only where the purchaser:
 - (a) immediately notifies ACDC or the retailer of the alleged defect;
 - (b) returns the product to the retailer; and
 - (c) presents the relevant sales invoice and this warranty document to the retailer to confirm the date of purchase.
4. To the extent permissible by statute, ACDC disclaims any liability of whatsoever nature in respect of any claim or demand for loss or damage which arises out of:
 - (a) accidental damage to or normal wear and tear to the product or to the product's components;
 - (b) any cost relating to damage resulting from wear and tear;
 - (c) blown fuses, loss or damage caused by electrical surges, power surges or power spikes;
 - (d) loss or damage due to theft, fire, flood, rain, water, lightning, storms or any other acts of Nature;
 - (e) door not in safe and correct working order and condition;
 - (f) evidence of unauthorised repairs;
 - (g) any cost relating to damage caused by misuse, negligence or failure to maintain the equipment in a Proper working order as per clauses (d) through (f);
 - (h) installation, adjustment or use which is not in accordance with the instructions set out in installation Instruction manual;
 - (i) damage caused by insects;
 - (j) loss or damage to any property whatsoever or any loss or expense whatsoever resulting or arising there from or any consequential loss;
 - (k) any cost or expense arising due to manufacturer recall of any product;
 - (l) any cost or expense due to negligence of the approved service provider;
 - (m) installation of a residential garage door in a commercial or industrial situation or a non-single

residential dwelling.

5. ACDC's liability under this warranty is limited, at ACDC's absolute discretion, to replacing or repairing the product which ACDC, in its unfettered opinion, considers to be defective either in material and/or workmanship or to credit the dealer with the price at which the product was purchased by the dealer.

6. This warranty does not extend to cover labour for installation.

7. This warranty is limited to Back-to-Base repair and does not cover labour for on-site attendance.

8. This warranty is void if the Product is not returned to the manufacturer in its original or suitably secure packaging.

9. This warranty does not cover consumable items including globes, batteries and fuses.

10. Except for this warranty, ACDC gives no warranties of any kind whatsoever (whether express or implied), in relation to the product, and all warranties of whatsoever kind relating to the product are, to the extent permissible by statute, hereby excluded.

11. Where the Product is retailed by any person other than ACDC, except for the warranty set out above, such person has no authority from ACDC to give any warranty or guarantee on ACDC's behalf in addition to the warranty set out above.



MOTORIZED SOLUTIONS PTY. LTD.

ABN. 19 107 530 521

Website: www.acdcms.com.au

Email: sales@acdcms.com.au

Postal Address

Po Box 102 Helensburgh NSW 2508

Head office & showroom

120 Walker St Helensburgh NSW 2508

P.H: (02) 4294 9722

Fax: (02) 4294 9733

Queensland Office

Unit 6 / 22 Eastern Service Rd
Stapylton Qld 4207

P.H: (07) 3287 5422

Fax: (07) 3287 5722