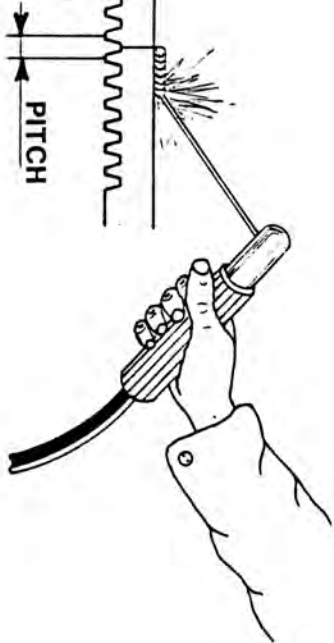
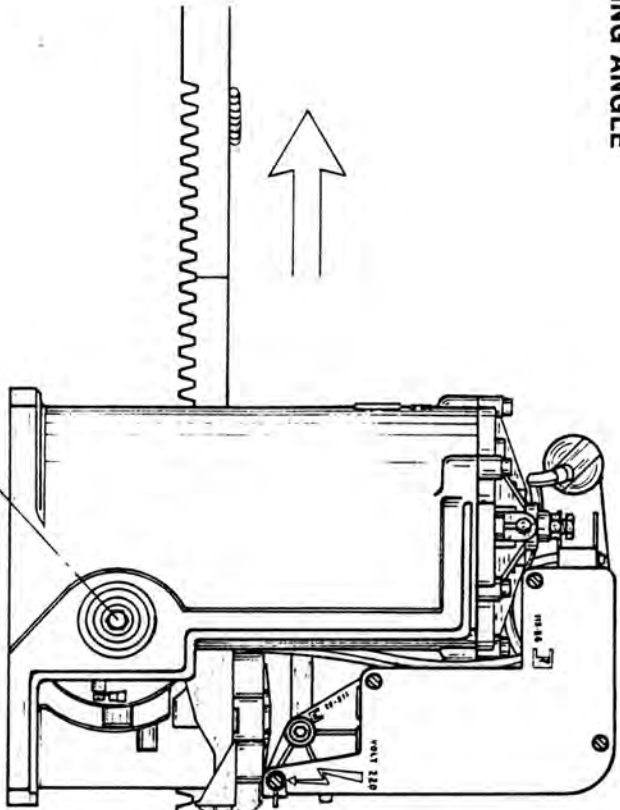
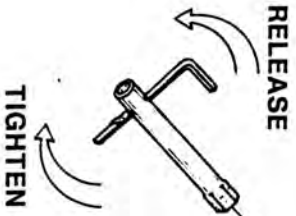
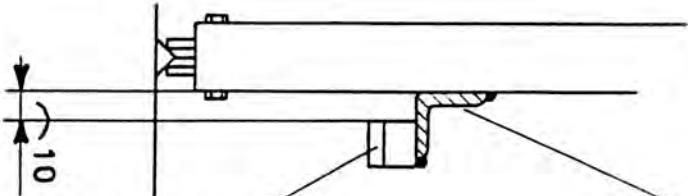


SUPPORTING ANGLE
30x30x5

RACK

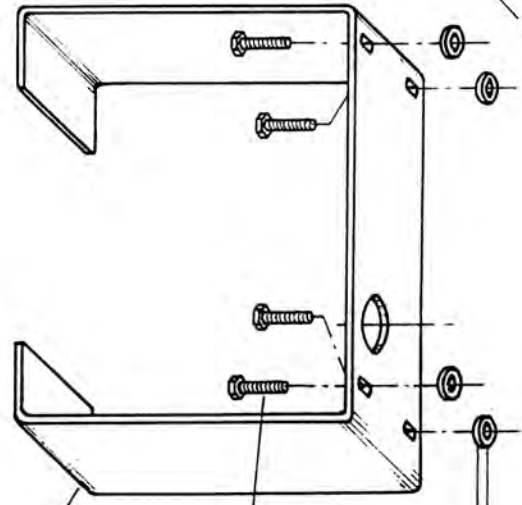


PITCH

$2 \frac{m}{E}$

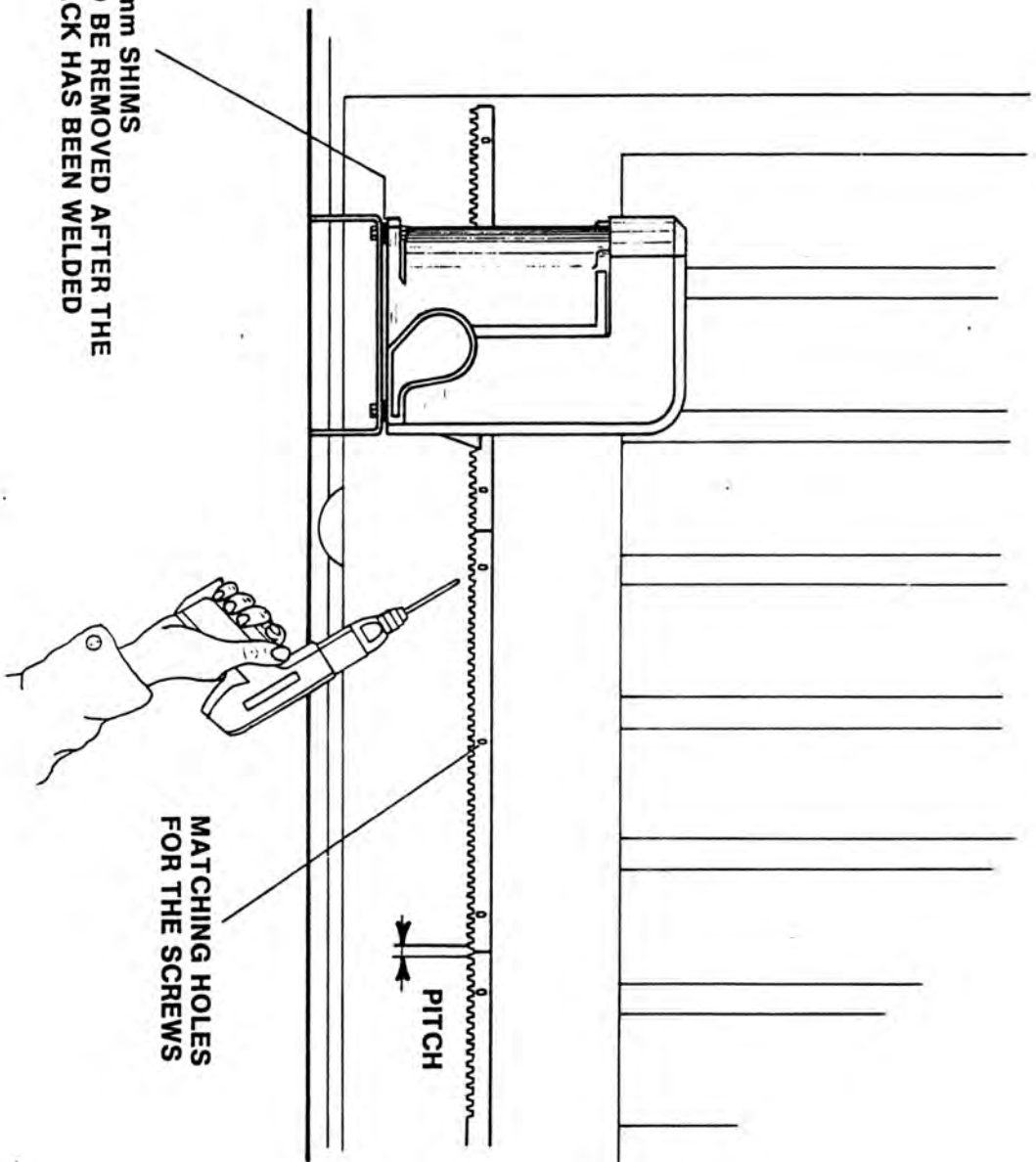
SHIMS TO BE REMOVED
AFTER THE RACK
HAS BEEN WELDED

FASTENING
SCREWS



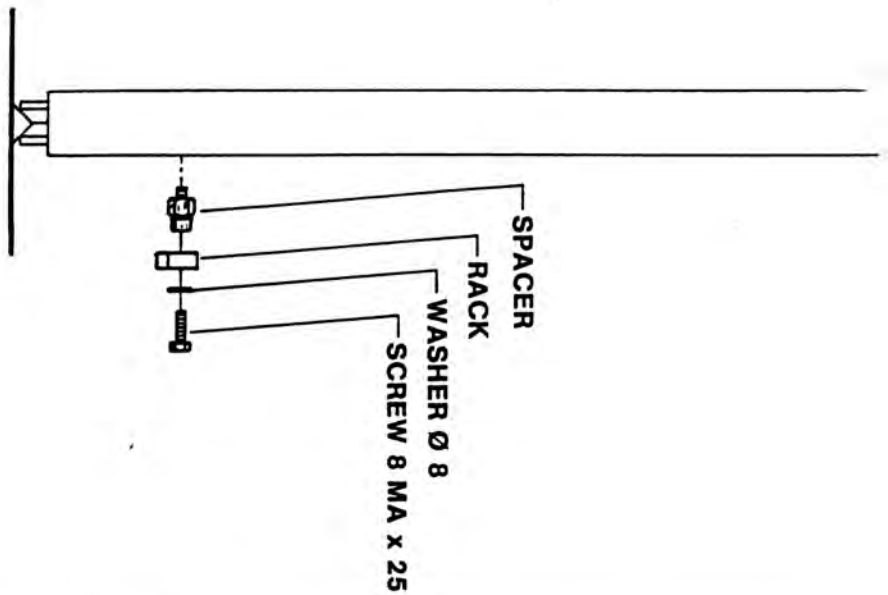
ANCHOR BASE PLATE "B"

2 mm SHIMS
TO BE REMOVED AFTER THE
RACK HAS BEEN WELDED



PITCH

MATCHING HOLES
FOR THE SCREWS



SPACER

RACK

WASHER Ø 8

SCREW 8 MA x 25