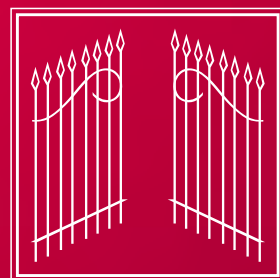


DRIVE

700

➤ Underground oil-hydraulic gate operator



FADINI[®]
the gate opener

DRIVE 700

Hydraulic swinging gate operator

DRIVE 700 hydraulic automation systems are designed and built for underground installation, at the foot of gates or doors. Even pre-existing gates and doors can be invisibly automated in this way. Automatic control is achieved by mounting a hydraulic jack on each wing. The jack is connected, by copper tubes, to a hydraulic unit with a drive pump in an oil bath. The pump is equipped with highly sensitive maximum pressure "by pass" valves. These, correctly adjusted, guarantee maximum protection against crushing accidents. The die-cast aluminium hydraulic jack, with its ground and hardened steel rotary movement transmission, comes furnished with 110° or 175° opening angles. Drive 700 is available with or without a bi-directional hydraulic lock (when no lock is supplied, an electric lock must be mounted on the wing). An optional patented brake can be inserted inside the jack to obtain soft and smooth gate opening and closing. This brake slows down rotary movement during the last 40 cm of travel. The entire automation system is controlled by an electronic programmer, that permits both automatic and semi-automatic functional modes. The command signal to the programmer can come from a wall-mounted push-button or from a remote portable radio transmitter. Hydraulic Drive 700 is equipped, in case of electric power failure, with a simple manual release



mechanism that permits the gate to be opened. Hydraulic Drive 700 offers maximum automation reliability, due both to time-tested technical features and to the technological systems employed by Meccanica Fadini - a name that stands for manufacturing perfection.





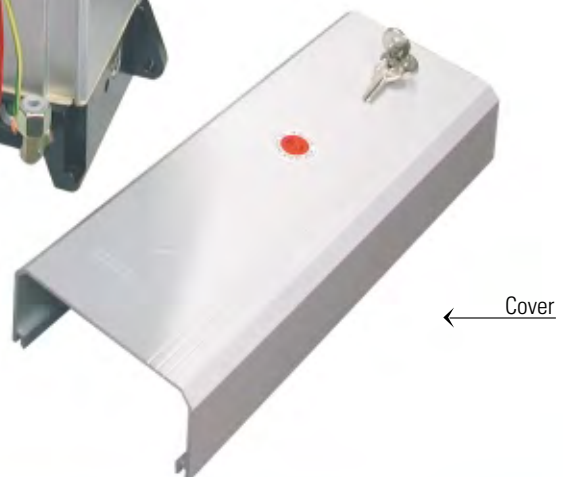
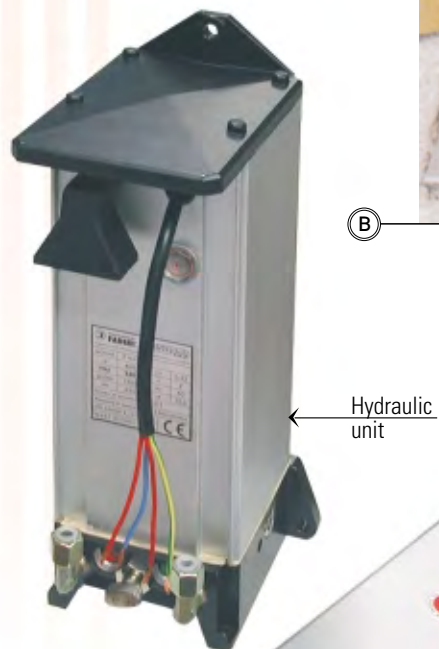
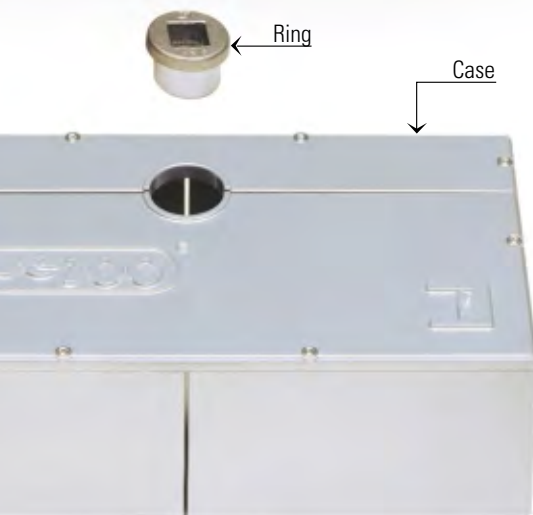
- Ⓐ Jack and hydraulic unit installation
- Ⓑ Case with hydraulic jack



Ⓐ



Ⓑ



DRIVE 700 GATE OPERATOR

Technical specifications

OIL-HYDRAULIC PUMP

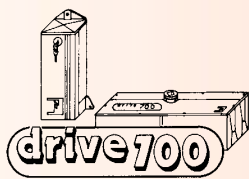
Pump flow rate - P3	0.85 l/min.
Average working pressure	1 MPa (10 bars)
Max. working pressure	3 MPa (30 bars)
Rotation angle	110°/175°
Rotation time 110°	23 s
Rotation time 175°	28 s
Rated torque	235 Nm
Cylinder bore	75 mm
Stroke	52 mm
Working temperature	-20°C +80°C
Oil type	A 15 FADINI by AGIP
Oil reservoir capacity	0.95 dm ³
Oil volume in the jack	0.25 dm ³
Static weight of motor/pump	8 Kg
Weight of DRIVE 700 with accessories	16 Kg
Static weight of the gate	700 Kg
Protection standards	IP 673
Duty cycle	23 sec. Open - 30 sec. Dwell - 23 sec. Close
Time of one complete cycle	76 s
No. of complete cycles Open-Dwell-Close	47/hour
No. of cycles a year, 8 hours a day	137'000

ELECTRIC MOTOR

Power output	0.24 KW (0.33 HP)
Supply voltage / Frequency	230 V - 50 Hz
Absorbed current	2 A
Absorbed power	400 W
Capacitor	12.5 µF
Motor rotation speed	1'350 r.p.m.
Intermittent service	S 3

WARNINGS

- The centre line of the jack shaft must coincide with the centre line of the gate hinge and pivot.
- Manual release by key. The release valve is fitted to the motor-pump unit (see instructions).
- 110° or 175° rotation options.
- With or without dampening device.
- Should the jack or motor-pump unit be removed from their seat, it is recommended to disconnect the electric cables from the junction box.
- Never cut off the electric cables.
- Do not turn over the motor-pump unit.
- Let waste oil out of the reservoir through the built-in funnel and recover it. Do not throw it away in the environment.
- Dispose properly of the packaging materials (cardboard, polystyrene, nylon) through specialized companies.
- All the electrical equipment must be properly earthed.



Distributor's box

The manufacturers reserve the right to change the products without any previous notice

Accessories



ELPRO 13 CEI single-phase
electronic programmer



SECH 15
keyswitch surface mount



Electric lock



LAPI 2 - flashing lamp
with protection cage



A43
aerial



Mechanical latch
"slider" type



DIFO 33
photocells



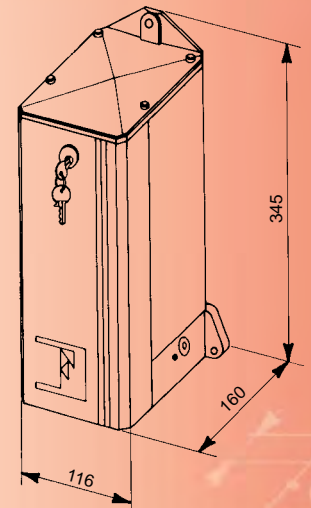
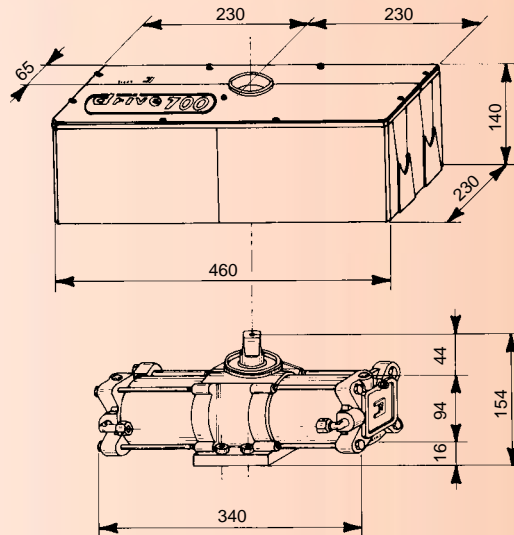
ASTRO 43/1R
radio receiver



PULIN 3
button switch



ASTRO 43/4 TR
quartz transmitter



EUROPEAN MARK CERTIFYING
CONFORMITY TO THE
ESSENTIAL REQUIREMENTS OF
THE STANDARDS 98/37 EC

- DECLARATION OF CONFORMITY
- GENERAL WARNINGS
- UNI 8612 STANDARDS
- CEI EN 60204-1 STANDARDS
- WARRANTY CERTIFICATE ON THE CUSTOMER'S REQUEST

The "CE" mark certifies that the operator conforms to the essential requirements of the European Directive art. 10 EEC 73/23, in relation to the manufacturer's declaration for the supplied items, in compliance with the body of the regulations ISO 9000=UNI EN 29000. Automation in conformity to EN 12453, EN 12445 safety standards. The growth of MECCANICA FADINI has always been based on the development of guaranteed products thanks to our "TOTAL QUALITY CONTROL" system which ensures constant quality standards, updated knowledge of the European Standards and compliance with their requirements, in view of an ever increasing process of improvement.



AUTOMATIC GATE MANUFACTURERS

Via Mantova, 177/A - 37053 Cerea (Verona) Italy - Tel. 0442 330422 r.a. - Fax 0442 331054 - e-mail: info@fadini.net - www.fadini.net