



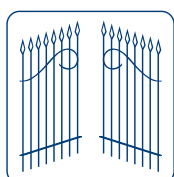
COMBI 740

Gate operator "ALL-IN-ONE"

Fully concealed

Underground

Automatic



FADINI[®]
the gate opener
Made in Italy





Gate operator “ALL-IN-ONE” Fully concealed. Underground Automatic

COMBI 740



The **COMBI 740** operator for swinging gates is designed for below-ground installation and to be positioned at the foot of the gate, perpendicular to the hinge supporting the gate to be opened.

Compact design for easy installation

The all-in-one unit incorporating the basic enclosure and the hydraulic jack pump/motor set has been specifically designed for problem-free installation. The mechanism is supplied fully functional and no adjustment or hydraulic oil top-ups are necessary. The enclosure is sunk in concrete next to the pillar, ensuring that the surface edge is perfectly horizontally aligned and on a level with the ground.

COMBI 740 operators are right- or left-handed and are clearly marked D for right-hand and S for left-hand versions, accordingly.

Perfection in each and every detail, for total security

To guarantee safety against crushing, the motor pump unit is fitted with pressure valves that are conveniently located for torque adjustments yet protected to prevent tampering.

The two-way hydraulic locking device is built into the valve assembly, works automatically inside the hydraulic circuit to interrupt the oil hydraulic circuit and hold firmly the gate in open and closed positions. The main torque shaft is manufactured using specially treated steel to bear considerable static load, torque and overload (including strain exerted manually) meeting high performance demand.

The oil-hydraulic jack is available with an opening and closing deceleration function on request. On request, it is also possible to order a non-locking operator to allow the application of an electric lock to hold the gate closed.

The electric supply cable sealed to the bottom of the oil tank and connected to the electric motor is long-lasting, weather-proof and resists temperature

Optional: stainless steel cover



Standard aluminium cover



Enclosure



Detail COMBI 740
with emergency release device



Detail COMBI 740
gate in open position



Detail of the opened gate
with emergency release device



changes, thanks to the special cable sheath that encloses the three power wires and an earth wire, which are all clearly marked.

The entire oil-hydraulic unit is commanded by a dedicated programmer with a highly reliable electronic circuit. In the event of a power cut, manual gate opening is made possible by a mechanical release shoe that can be applied between the jack shaft and foot of the gate and can be activated by a specifically designed spanner.

In addition to the pressure cast aluminium cover, on request a stainless steel cover is available that makes the operator even more elegant and safe over time.

The **COMBI 740** gate operator is built in the Meccanica Fadini factories and is the result of years of research, studies and specific tests to guarantee its quality and reliability over time.

Accessories



ELPRO 13 CEI
electronic programmer



RADI 12
digital pushbutton switch



PRIT 19
keyswitch



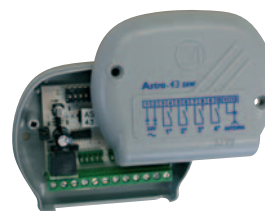
MIRI 4
flashing lamp



BIRIO A8
aerial



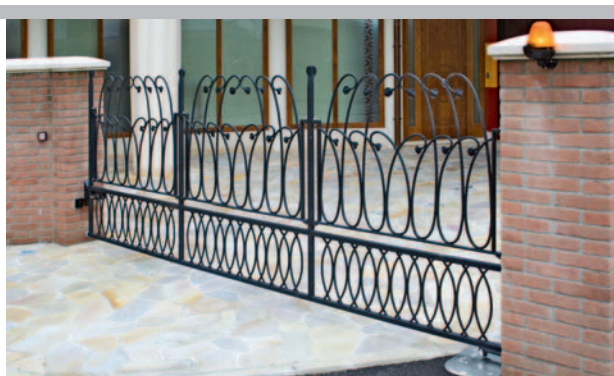
POLO 44
photocells



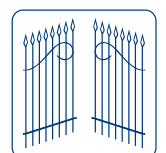
ASTRO 43/1R M.Q.B.
stand alone radio receiver



ASTRO 43/2 TR Small
transmitter receiver



Installation COMBI 740



FADINI
the gate opener
Made in Italy

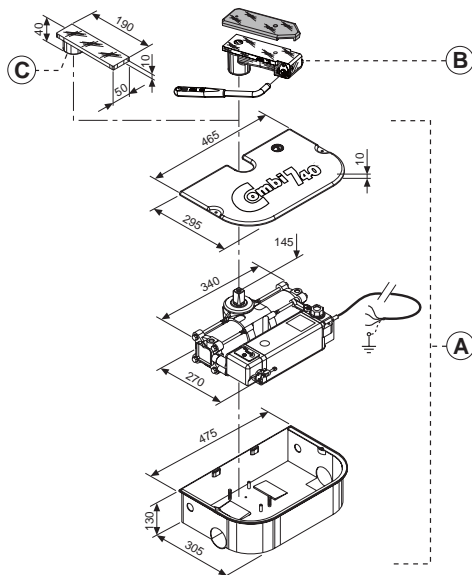
COMBI 740 Gate operator



Class H, Two-phase, Electric Motor	
Power output	0.18 KW (0.25 HP)
Supply voltage	230 V / 50 Hz
Absorbed power	250 W
Absorbed current	1.2 A
Capacitor	12.5 µF
Motor rotation speed	1'350 rpm
Intermittent service	S3
Double Stroke Jack and Oil-hydraulic Pump	
Pump flow rate-P3	0.85 l/min.
Working pressure	1 MPa (10 bar)
Max. pressure	3 MPa (30 bar)
Working temperature	-20°C +80°C
Rotation time (110°)	23 s
Rotation time (175°)	28 s
Type of oil	Oil FADINI
Shaft rotation angle	110°/175°
Rated torque	235 Nm
Cylinder bore	75 mm
Stroke	52 mm
Weight with accessories	27 Kg
IP Standards	IP 673
Static gate weight	700 Kg
Overall dimensions (LxWxH)	470x300x150 mm
Duty cycle	23 sec. Open - 30 sec. Dwell - 23 sec. Close - 30 sec. Dwell
Time of one complete cycle	106 s
No. of complete cycles: Open - Dwell- Close - Dwell	34/hour
No. of cycles a year, 8 hours a day	99'000

LEFT-HANDED UNIT - VIEW FROM INSIDE PROPERTY

Suitable for gate width from 2 up to 3.5 m max. with or without locking/dampening depending on gate size and site requirements



- (A) "COMBI 740" including: enclosure, pump/jack and aluminium cover
- (B) Emergency manual release device with square section F ring, spanner and plate to weld (to suit *hydraulic, locking* operators)
- (C) Plate with square section F ring (to suit *hydraulic, non locking* operators)

PRODUCT FEATURES

- Pre-oiled and pre-set for immediate installation.
- Close proximity of pump and jack gives fast response.
- Close pivot point (45 mm) to gate pier.
- Manual release from inside and outside of property.
- Choice of 110° or 175° rotation angle.
- Braking or non-braking versions available.
- Locking or non-locking versions available.
- Conforming to EN 12445, EN 12453 safety standards.
- All-in-one pump and jack unit, contained in a single enclosure, is sunk into the ground at the foot of the left-hand and right-hand gate to achieve synchronised operation. The unit should be piped into a soak-away to allow for water drainage.

WARNINGS

- Should the combined unit jack/hydraulic motor pump be removed for maintenance, servicing or repair, disconnect the electric motor cable from the junction box.
- Never cut off the cable from the electric motor.
- Make sure that the oil plug is properly tightened.
- Do not throw away oil from repaired or serviced units, waste oil must be disposed of properly through a specialised company.
- Do not throw away packaging such as cardboard, polystyrene and nylon, which must be disposed of properly through a specialised company.
- The electrical equipment must be properly earthed.



We recommend that installation complies with applicable regulations, the instructions enclosed and EN 12453 and EN 12445 standards in observance of essential EC requisites

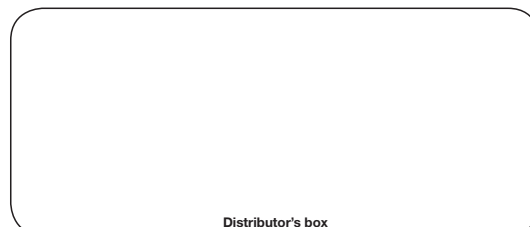


Directive 2003/108/EC
Disposal of electric and electronic material
**DO NOT DISPOSE OF AS NORMAL WASTE
HARMFUL TO THE ENVIRONMENT**



AUTOMATIC GATE MANUFACTURERS

Via Mantova, 177/A - 37053 Cerea (Verona) Italy
Tel. +39 0442 330422 r.a. - Fax +39 0442 331054
e-mail: info@fadini.net - www.fadini.net



Distributor's box

The manufacturers reserve the right to change the products without any previous notice