

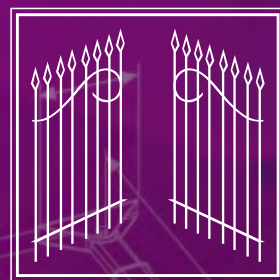
APROLI

280/700 **STRONG**

- Oil-hydraulic gate operator fitted with bended arm
- Installation on large pillars
- Heavy swing gates



GB



FADINI[®]
the gate opener

APROLI 280/700 STRONG

Oil-hydraulic gate operator fitted with bended arm

The **Aproli 280/700 Strong**, a special version of the Aproli 280 Batt, is an external oil-hydraulic automation designed specifically for swing gates with large pillars and very heavy leaves up to 300 kg of weight, 3.0 m max. of length.

It is an oil-hydraulic product and consequently guarantees life and performance over time, with a design that can also be subtly adapted to meet the requirements of elaborate and prestigious gates, as befits such a quality product.

Its structure consists of a compact electric motor / hydraulic jack assembly, fixed to a corrosion resistant aluminium fixing base, prepared for immediate installation on the pillar. The whole is protected by a resistant plastic protection cover that can be removed with a customized key. The Aproli 280/700 Strong guarantees the position of the leaves thanks to the two-way hydraulic locking system, offering stability and security in all gate positions.

This gate operator is characterized by its thick steel bended arm, specifically designed in order to prevent the risk of cuts or crushing in whatever position it may be with the telescopic arm connected to the gate leaf. The arm in question can be on the right or on the left.

Thanks to the solid hydraulic jack and the use of top quality materials, the Aproli 280/700 Strong guarantees the high performance that a heavy gate demands from such an automation.



For any type of installation, even the most demanding, the terminal arm provides the possibility to be extended to three different lengths, highlighting this product's versatility. The Aproli 280/700 Strong bended arm movements are regulated by the maximum and minimum hydraulic pressure valves, enabling the device to be used on any type of gate and provide the necessary force to move the swing leaf evenly.

It also offers the possibility to move the gate leaf manually in the case of a power failure. This is a completely safe operation which involves the use of a customized key for access to the internal manual release device. Available in any of the following options: non locking (an electric lock is to be fitted to the gate), locking by the hydraulic mechanism, and fitted with a flow regulator. This gate operator is designed for an installation consisting of original Fadini safety, control and signalling devices. Fadini is a reliable brand that boasts thirty years of experience in the gate and entrance automation sector.



Protection cover

Left-hand version

Bended arm in corrosion



- Ⓐ Rigid connection of the steel bended arm to the hydraulic jack shaft.
- Ⓑ Operations for accessing the Aproli 280/700 Strong manual release:
- Ⓒ B: door locked by key
C: door open: free access to the Aproli manual release.
- Ⓓ Telescopic terminal arm for leaf connection, with three possible extension positions (for right and left bended arm).



Ⓐ



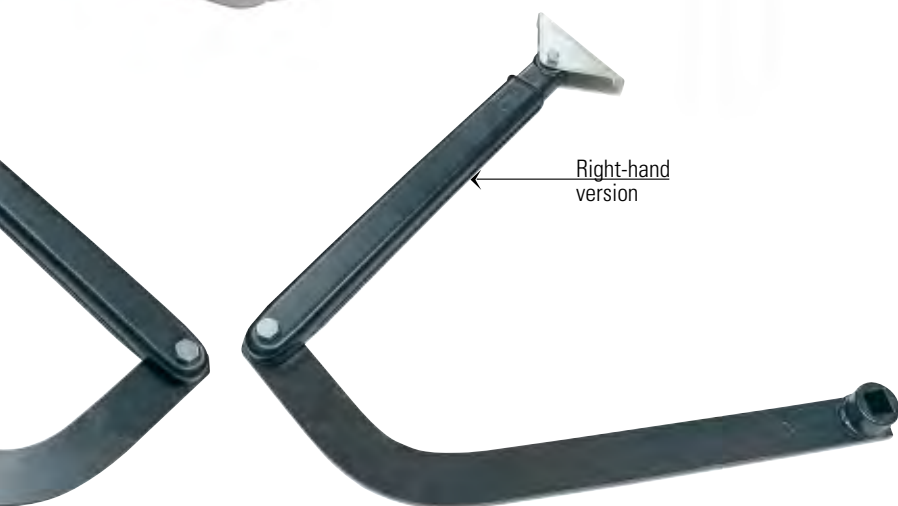
Ⓑ



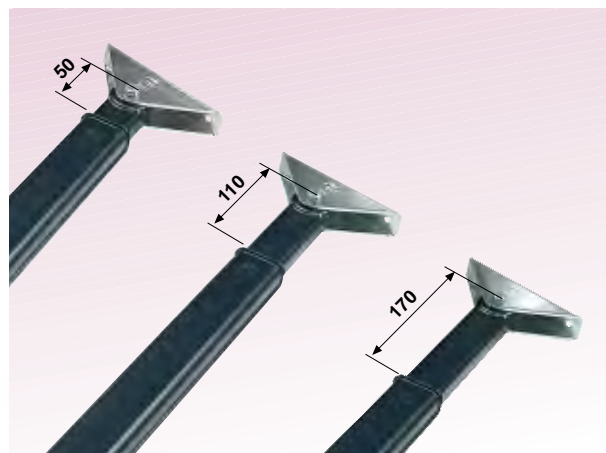
Ⓒ



Internal electric motor
and hydraulic jack
assembly



Right-hand
version



Ⓓ

resistant steel with terminal arm connecting it to the leaf

Technical specifications

ELECTRIC MOTOR

Power output	0.18 KW (0.25 HP)
Supply voltage / Frequency	230 V c.a. / 50 Hz
Absorbed current	250 W
Absorbed power	1.2 A
Capacitor	12 µF
Motor rotation speed	1'350 rpm
Intermittent service	S3

OIL-HYDRAULIC PUMP

Pump flow rate - P3	0.85 l/min.
Average working pressure	1 MPa (10 bars)
Max. pump pressure	3 MPa (30 bars)
Working temperature	-20°C +80°C
Hydraulic oil	OIL A 15 FADINI by AGIP
Static weight of operator with arm	20 Kg
Opening time	23 s
Rated torque	137 Nm

SERVICE

Duty cycle	23 s Opening - 30 s Dwell - 23 s Closing
Time of one complete cycle	76 s
No. of complete cycles: Open - Dwell - Close	47 cycles/hour
No. of cycles a year, 8 hours a day	137'000

VERSIONS

- Non locking

- Locking

- With flow regulator

For leaves of no more than 3.0 metres long and weighing more than 300 Kg.

An electric lock must always be installed for leaves of over 2.0 metres long.

With two-directional hydraulic locking.

Accessories



PRIT 19
keyswitch



POLO 44
pair of photocells



MIRI 4
flashing light



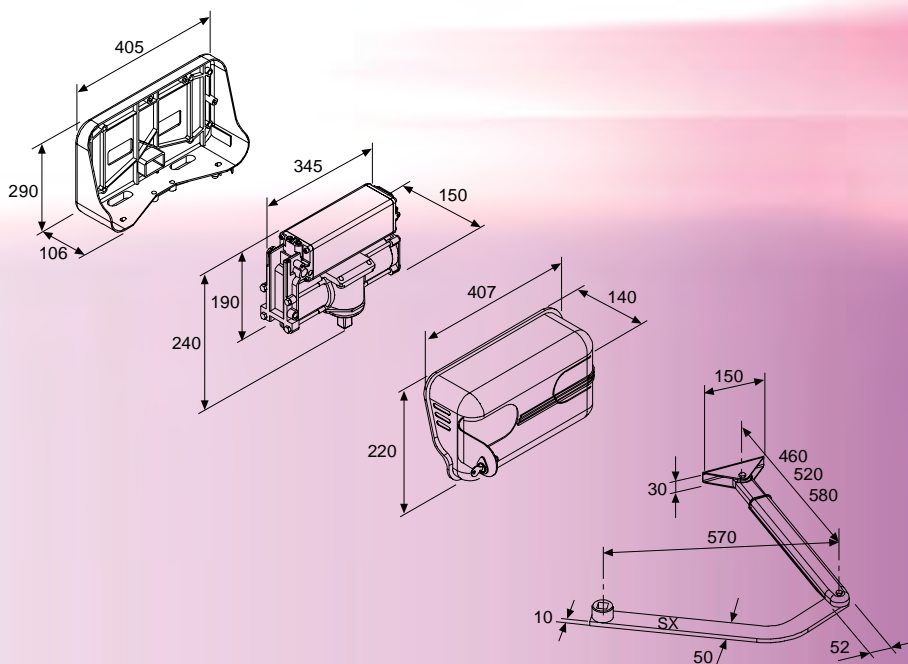
JUBI 433
radio receiver



JUBI SMALL 433
transmitter



BIRIO A8
rod aerial



Distributor's box

The manufacturers reserve the right to change the products without any previous notice



EUROPEAN MARK CERTIFYING
CONFORMITY TO THE
ESSENTIAL REQUIREMENTS OF
THE STANDARDS 98/37/EC

- DECLARATION OF CONFORMITY
- GENERAL WARNINGS
- EN 12453, EN 12445 STANDARDS
- CEI EN 60204-1 STANDARDS
- WARRANTY CERTIFICATE ON THE CUSTOMER'S REQUEST

The "CE" mark certifies that the operator conforms to the essential requirements of the European Directive art. 10 EEC 73/23, in relation to the manufacturer's declaration for the supplied items, in compliance with the body of the regulations ISO 9000=UNI EN 29000. Automation in conformity to EN 12453, EN 12445 safety standard.

The growth of MECCANICA FADINI has always been based on the development of guaranteed products thanks to our "TOTAL QUALITY CONTROL" system which ensures constant quality standards, updated knowledge of the European Standards and compliance with their requirements, in view of an ever increasing process of improvement.



AUTOMATIC GATE MANUFACTURERS

Via Mantova, 177/A - 37053 Cerea (Verona) Italy - Tel. 0442 330422 r.a. - Fax 0442 331054 - e-mail: info@fadini.net - www.fadini.net