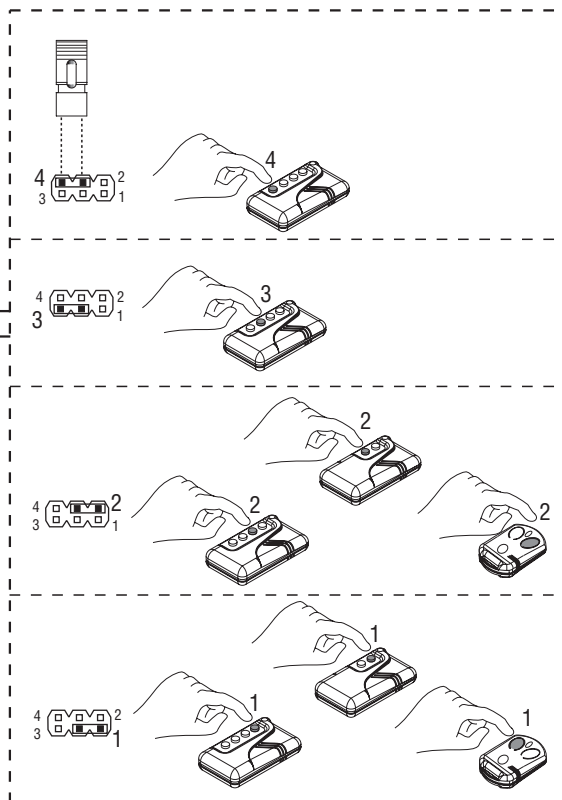
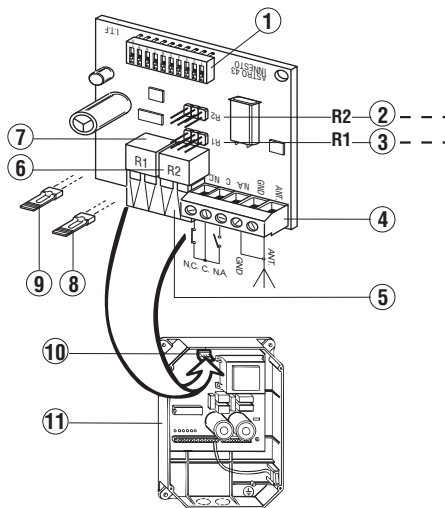


Astro 43 SAW

- ad innesto
- plug-in
- enchifiable

0678



CE

I NUOVA SCHEDA RICEVENTE ASTRO 43 AD INNESTO

- 1 - Dip-switch per la codifica del codice segreto
- 2 - Ponticelli 2° canale: scelta da 1 a 4 pulsanti del trasmettitore
- 3 - Ponticelli 1° canale: scelta da 1 a 4 pulsanti del trasmettitore
- 4 - Morsetto di collegamento 2° canale (R 2) contatto N.C.-N.A. e antenna
- 5 - Connettore ad innesto femmina 1° canale (R 1)
- 6 - Relé per attivare il 2° canale
- 7 - Relé per attivare il 1° canale
- 8 - Inserto di contatto ponticelli 1° canale
- 9 - Inserto di contatto ponticelli 2° canale
- 10 - Connettore ad innesto maschio
- 11 - Programmatore elettronico serie Elpro

GB NEW PLUG-IN RADIO RECEIVER CARD ASTRO 43

- 1 - Dip-switches for secret encoding
- 2 - Pins for channel 2: any one transmitter button 1 to 4 can be selected
- 3 - Pins for channel 1: any one transmitter button 1 to 4 can be selected
- 4 - Terminal to connect N.O. - N.C. channel No.2 (R 2) and aerial
- 5 - Female plug-on connector channel 1 (R 1)
- 6 - Relay to activate channel No. 2
- 7 - Relay to activate channel No. 1
- 8 - Contact insert pins channel 1
- 9 - Contact insert pins channel 2
- 10 - Male plug-on connector
- 11 - Electronic programmer Elpro series

F NOUVELLE RECEPTEUR RADIO ENCHIFIABLE ASTRO 43

- 1 - Dip-switch pour codifier
- 2 - Ponts 2^{ème} canal: pour choisir le poussoir émetteur de 1 à 4 max.
- 3 - Ponts 1^{ère} canal: pour choisir le poussoir émetteur de 1 à 4 max.
- 4 - Borne de raccordement 2^{ème} canal (R 2) contact N.F. et N.O. et antenne
- 5 - Connecteur enchifiable femelle 1^{ère} canal (R 1)
- 6 - Relais pour actionner le 2^{ème} canal
- 7 - Relais pour actionner le 1^{ère} canal
- 8 - Cavalier de contact ponts 1^{ère} canal
- 9 - Cavalier de contact ponts 2^{ème} canal
- 10 - Connecteur enchifiable mâle
- 11 - Programmateu électronique série Elpro

Scheda ad innesto radio ricevente "Astro 43/2 R" con oscillatore stabilizzato (SAW) completa di due moduli relé per il 1° e 2° canale, frequenza 433,92 MHz

Cod. Art. 4312

Plug-in radio receiver card type "Astro 43/2 R" fitted with (SAW) stabilized oscillator, complete with two relay modules for channels 1 and 2, 433,92 MHz

Item Code No. 4312

Carte enchifiable pour récepteur radio "Astro 43/2 R" avec oscillateur (SAW) complet de deux modules relais pour le 1^{ère} et 2^{ème} canal fréquence 433,92 MHz

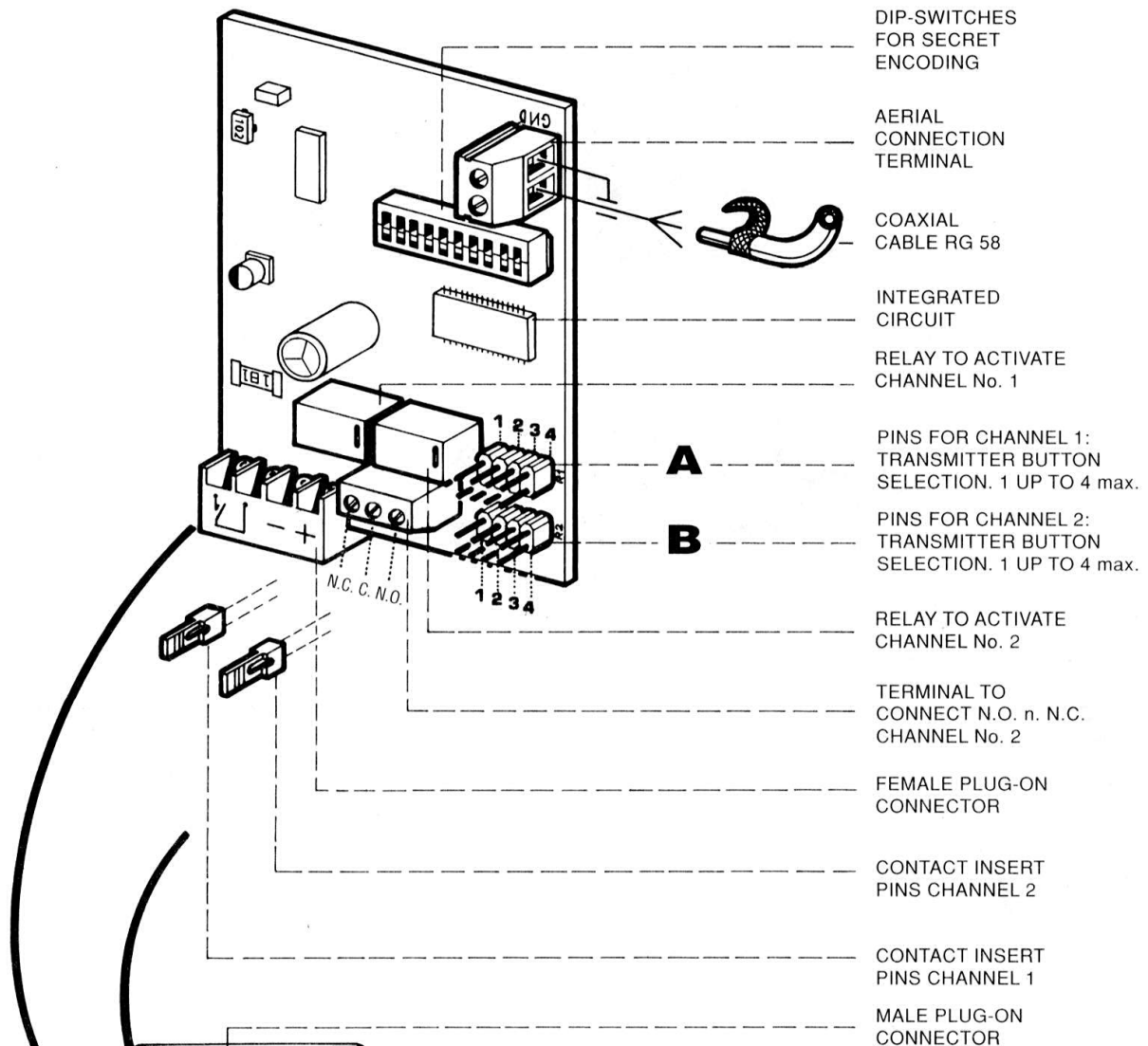
Code Art. 4312

Dis. N. 4045

meccanica FADINI

Via Mantova, 177/A - 37053 Cerea (Verona) Italy - Tel. +39 0442 330422 r.a.
Fax +39 0442 331054 - e-mail: info@fadini.net - www.fadini.net

Astro .43 SAW



DIP-SWITCHES
FOR SECRET
ENCODING

AERIAL
CONNECTION
TERMINAL

COAXIAL
CABLE RG 58

INTEGRATED
CIRCUIT

RELAY TO ACTIVATE
CHANNEL No. 1

PINS FOR CHANNEL 1:
TRANSMITTER BUTTON
SELECTION. 1 UP TO 4 max.

PINS FOR CHANNEL 2:
TRANSMITTER BUTTON
SELECTION. 1 UP TO 4 max.

RELAY TO ACTIVATE
CHANNEL No. 2

TERMINAL TO
CONNECT N.O. n. N.C.
CHANNEL No. 2

FEMALE PLUG-ON
CONNECTOR

CONTACT INSERT
PINS CHANNEL 2

CONTACT INSERT
PINS CHANNEL 1

MALE PLUG-ON
CONNECTOR

Plug-in radio receiver card type "Astro 43/2 R" fitted with (SAW) stabilized oscillator, complete with two relay modules for channels 1 and 2, 433.92 MHz frequency.

Item Code No. 4312



ELECTRONIC
PROGRAMMER
ELPRO SERIES

P.T. SUPERIOR
INSTITUTE
APPROVAL No.

CEPT LPD - I -
7 • 03 • 97-0000720



Drwg. No. **2246**

PLUG-IN RADIO RECEIVER CARD
FREQUENCY 433.92 MHz

