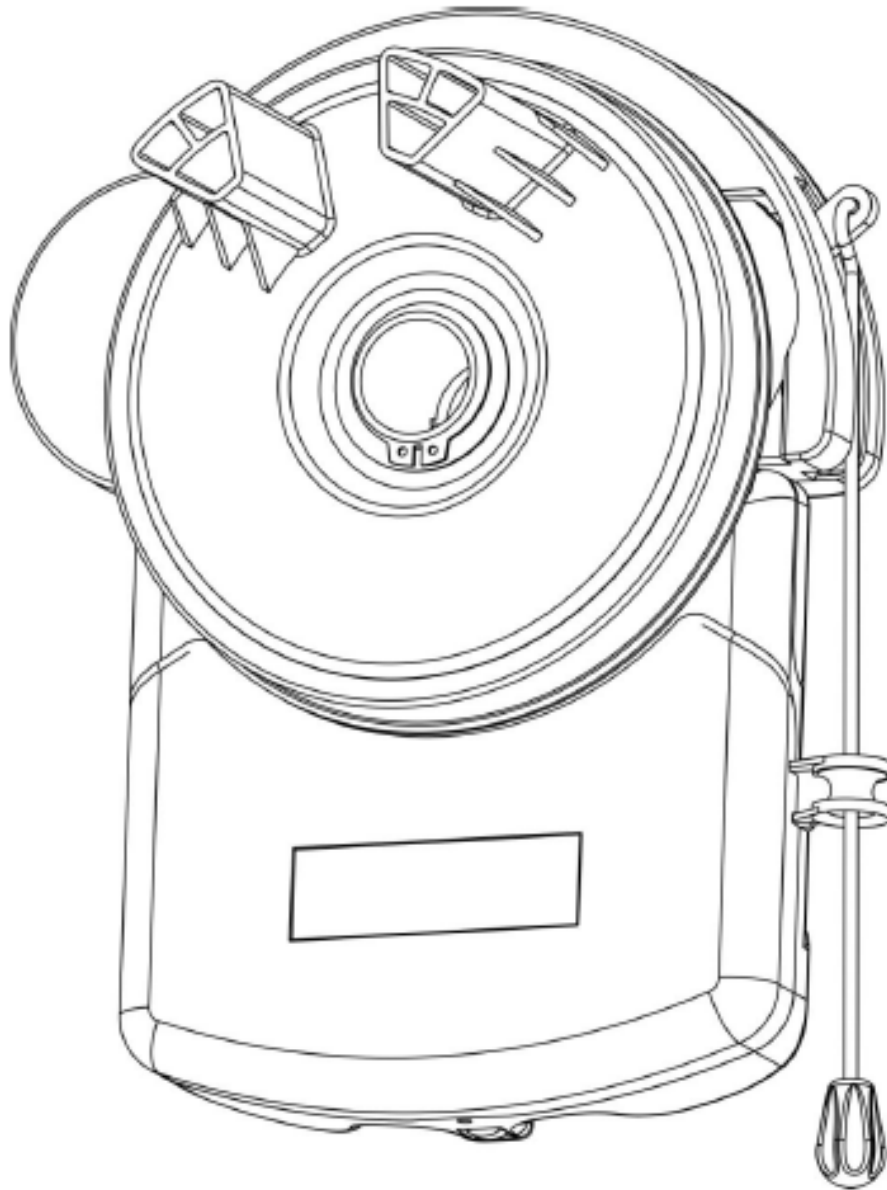


ACDC SLIMGLIDE ROLLER DOOR OPERATOR



OWNERS MANUAL

ACDC SlideGlide ROLLER DOOR OPERATOR

WARNING

It is vital for the safety of persons to follow all instructions. Failure to comply with the installation instructions and the safety warnings may result in serious personal injury and or property and remote control opener damage. Please save these instructions for future reference.

TABLE OF CONTENTS

Safety warnings
Product Features
Installation instructions
Setting and operating
Packing list
Technical data
Common trouble shooting

In order to provide superior service and to ensure the safety of users and product life, please install and operate this unit strictly in accordance with this manual. We do not undertake the direct and indirect corresponding duties and obligations for personal injury or property damage as a result of non-compliance with safety regulations during transport, installation and use. We hereby further expressly exclude all or any liability for any injury, damage, cost, expense or claim whatsoever suffered by any person as a result whether directly or indirectly from failure to install the SlimGlide roller door operator in accordance with these installation instructions.

SAFETY WARNINGS

It is vital for the safety of persons to follow all instructions. Failure to comply with the following safety rules may result in serious personal injury and/or property damage.

For additional safety protection we strongly recommend the fitting of a photo electric beam. ACDC Motorized Solutions recommends that photo electric beams be installed with all automatic openers ensuring additional safety and peace of mind.

Do not activate the garage door operator unless the door is in full view and free from objects such as cars and children/people. Make sure that the door has finished moving before entering or leaving the garage.

Do not activate the garage door operator when people are near the door. Children must be supervised near the garage door at all times when the door opener is in use. Serious personal injury or death and/or property damage can result from failure to follow this warning.

Do not allow children to use the garage door operator. Serious personal injury or death and/or property damage can result from failure to follow this warning.

Regularly check to make sure that the safety obstruction force is working correctly, and is tested (by placing a 50mm high object on the floor) and set as per the installation instruction manual. This test must be repeated at regular intervals and the necessary adjustments made as required.

Do not disengage the door opener to manual operation with children/persons or any other objects including motor vehicles within the doorway.

Any internal wall switch or remote control transmitter must be installed high enough so that children can not reach them.

Keep hands and loose clothing clear of the door and door opener at all times. If the roll up door is the only entrance to the garage, a back up battery or key release must be installed and checked weekly.

The unit should be installed so that it is protected from the elements. It should not be exposed to water or rain.

Do not spray water directly on the unit.

The garage door must be well balanced. Sticking or binding doors must be repaired by a qualified garage door installer prior to installation of the operator or warranty will be void.

Frequently examine the installation, in particular cables, springs and mountings for signs of wear, damage or imbalance. Do not use the door if repair or adjustment is needed since a fault in the installation or an incorrectly balanced door may cause injury. Do not attempt to repair the door yourself as hardware is under extreme tension or warranty will be void.

Remove or disengage all garage door locks and mechanisms prior to installation the operator or warranty will be void.

Connect the garage door operator to a properly earthed general purpose 240V mains power outlet installed by a qualified electrical contractor. The outlet (and operator) must be positioned so that it is easily accessible.

Disconnect the power cord from mains power before making any repairs or removing covers. Only experienced service person can remove covers from garage door operator.

When using auto close mode, a photo electric beam must be fitted correctly and tested for operation at regular intervals. Extreme caution is recommended when using auto close mode. All safety rules must be followed.

In order for the garage door opener to sense an object obstructing the doorway, some force must be exerted on the object. As a result the object, door and/or person may suffer damage or injury.

If the garage door opener is damaged in any way, it must be repaired by a qualified technician.

Make sure that the door is fully open before driving in or out the garage and fully closed before leaving the driveway.

Make sure that remote controls are kept out of reach of children.

PRODUCT FEATURES

1. Easy to use remote control transmitters or pushbutton on the SlimGlide to open, stop or close the roller door.
2. Safe and reliable rolling code remote control system.
3. Easy to adjust mechanical limit setting.
4. ISS (intelligent safety system). When performing a close cycle the door will automatically reverse if it hits an obstacle or is restricted in some manner. The door will also stop if it is restricted when opening.
5. Up to 20 different transmitters can be stored in the opener's memory.
6. Courtesy LED light. The light will automatically turn on when the unit is operating and turn off after 3 minutes.
7. Optional battery backup available.
8. Auto close mode available. If this facility is selected the door will close automatically after 1 minute. Please note it is necessary to install a safety photo electric beam if auto close mode is selected, otherwise the door may cause personal injury or damage to property
9. Photo beam and wall switch connections are available on main control board.
10. Simple and reliable manual release system. Pull down the disengagement handle, the door can then be manually operated. Push the handle up and the door will re-engage.
11. Solid and reliable aluminum chassis structure.

INSTALLATION INSTRUCTIONS

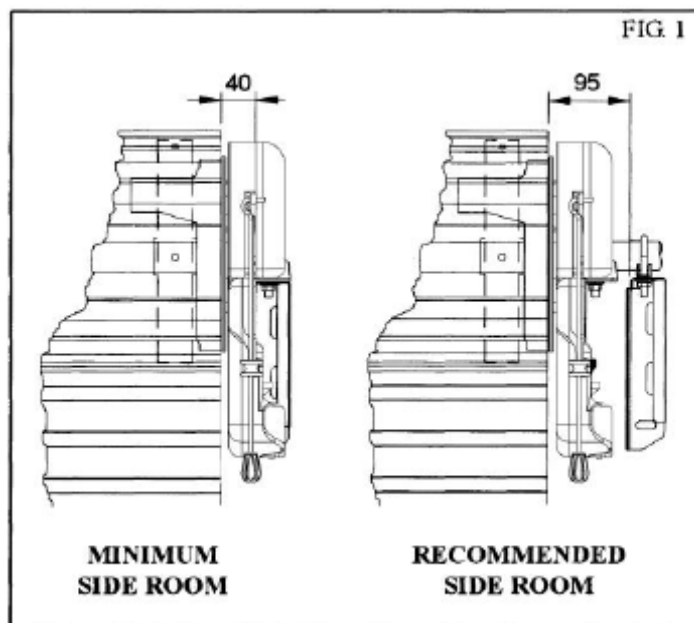
IMPORTANT SAFETY INSTRUCTIONS FOR

INSTALLATION

Warning : Incorrect installation can lead to severe injury or death. Follow these installation instructions correctly.

SIDE ROOM REQUIREMENTS.

Fig. 1 shows the minimum and recommended side room. The distance between the edge of the door curtain and the inside of the bracket must be at least 40mm. However, for easier access it is recommended that at least 95mm is allowed.



1. CHECK OPERATION OF DOOR.

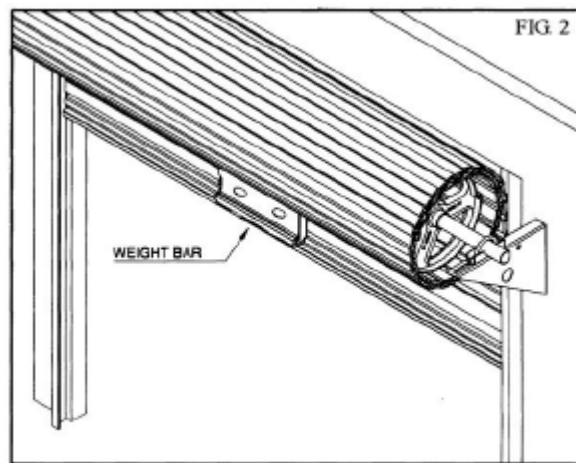
The door must be well balanced and be in good operating condition. The ideal operational effort in raising or lowering the door should not exceed a force of 10kg (22 lbs). Make sure that all door locks are removed or warranty will be void..

2. FIXING OF DOOR WEIGHT BARS.

Some doors may require the fitting of weight bars that sit in the bottom rail of the door to provide additional weight. This stabilizes the bottom of the door when closing and provides inertia to allow the door to close fully.

Move the door manually to the midway position. Place the weight bars in the bottom rail either side of the centreline of the door and secure with the fasteners provided (Fig.2). Check the operation of the door again.

Note. If the door feels heavy or is difficult to open or close it may require re-tensioning for correct balance. In this case contact a qualified garage door installer to re-tension the door correctly.



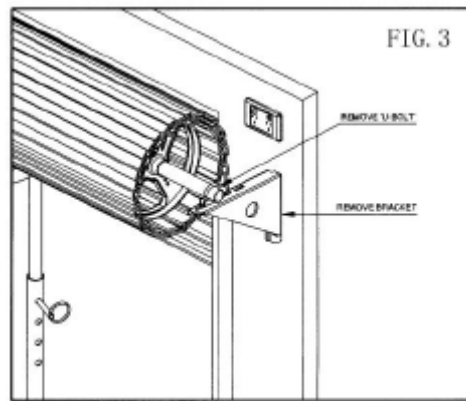
3. INSTALLING THE OPERATOR

The SlimGlide door operator can be fixed to the roll up garage door in a variety of ways. Described below is one method of fixing. Make sure there is enough side room to slide the drive assembly onto shaft.

The instructions for installation of operator are for right hand installation.

Installation process (Fig. 4, Fig. 5, and Fig. 6)

1. Check that the door shaft U bolt is securely tightened on the left hand side of the door. (Fig 3)



2. Raise the door and tie a rope around the centre to secure the roll.

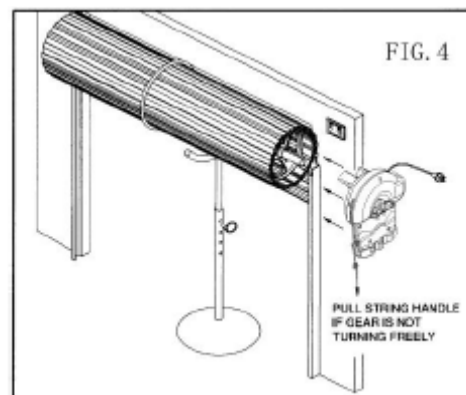
3. Support the right hand end of the door with a door prop,

WARNING : DO NOT ALLOW CHILDREN/PERSONS AROUND THE DOOR AND PROP. SERIOUS PERSONAL INJURY AND/OR PROPERTY DAMAGE CAN RESULT FROM FAILURE TO FOLLOW THIS WARNING

4. Carefully loosen and remove the right hand door shaft U-bolt.

5. Make sure that the door supporting prop is secure. While the door is supported remove the right hand door mounting bracket from wall.

6. Remove the SlimGlide operator from it's packing and pull down the manual release handle so the drive fork will rotate easily.

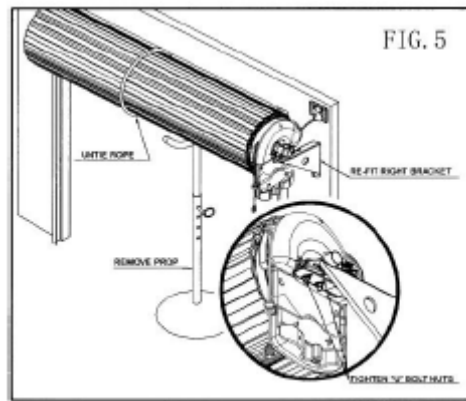


7. Slide the SlimGlide motor drive assembly over the door axle making sure that the fork extends into and engages the door drum wheel.

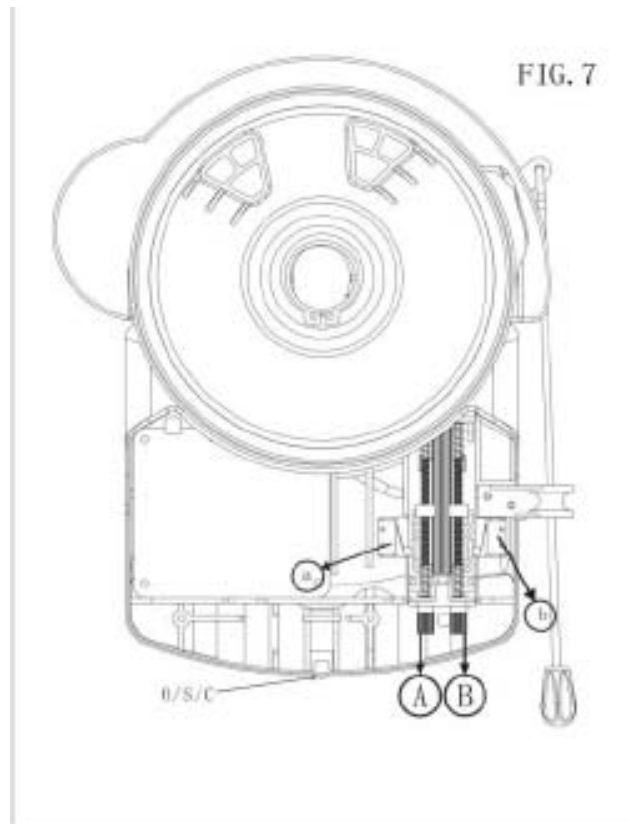
8. Refit the door mounting bracket to the wall. In some cases the bracket may have to be re-positioned. Re-fit and tighten the door shaft U-bolt.

Remove door supporting prop and untie the rope from the curtain.

9. Straighten the motor drive assembly and position as per Fig. 5. Tighten the two locking bolts firmly to secure the SlimGlide.



10. Check the manual operation of the door by raising and lowering the door. The door should run smoothly.



4. DOOR TRAVEL LIMIT SETTING

.To set travel limits push in and turn limit knobs with either the finger tips or a philips head screwdriver. Set both limit slides mid travel.

4.1 Make sure the door is in the manual operation mode.

4.2 Lift the door to the open position and adjust the limit adjustment knob B to stop when the limit slide just hits the open limit microswitch.

4.3 Close the door then adjust the limit adjustment knob A to stop when the limit slide just hits the close limit microswitch.

4.4 Open and close the door again and make sure the limit slides reach the open & stop limit switches just before the door reaches its maximum door travel.

4.5 **Note.** Before finally setting the open /close limits double check the motor/ limit direction.

Please note this is for right hand installation

Set the door to the half way position. Re-engage the SlimGlide motor drive. Power the unit up. Press the Open/Stop/Close pushbutton on the operator. The door should move in the open direction and limit slide B should move in the downward direction towards the open limit microswitch.

This step should be done quickly so that the door does not reach either the full open or close position

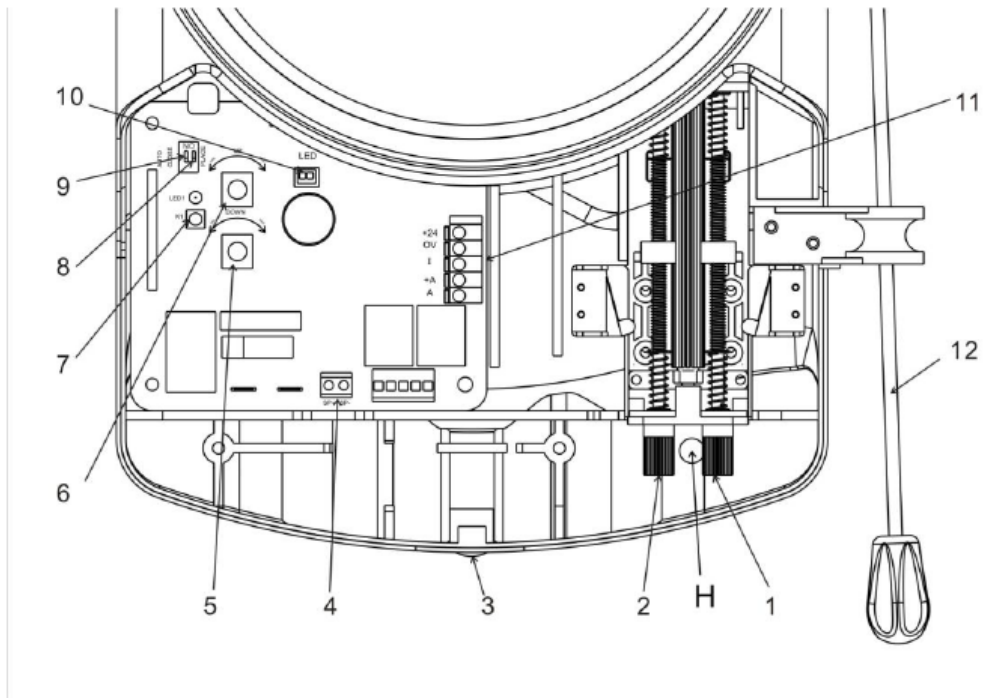
If the limit/motor direction is correct the limits should now be fine-tuned.

4.6 Fine tune the up and down limit positions again by activating the door with the pushbutton on the SlimGlide operator and adjust the limit knobs B and A correspondingly as required.

4.7 Notes:

For left hand installations motor direction dipswitch needs to be changed (see control board diagram) and limit adjustment knob A becomes open and knob B becomes close.

Setting and operating



- | | |
|--|---|
| 1. Limit adjustment knob B | 2. Limit adjustment knob A |
| 3. Open/Stop/Close button | 4. Back up battery connecting interface |
| 5. Closing force adjustment knob | 6. Opening force adjustment knob |
| 7. K1 button | 8. Auto close button |
| 9. Switch button for left/right installation | 10. LED light socket |
| 11. Photo beam and wall switch interfaces | 12. Manual Release Handle |

5. SAFETY OBSTRUCTION FORCE MARGIN

For each installation the obstruction force setting must be adjusted. Failure to do so may cause injury or damage to property and will void any warranty on the operator

5.1 Remove light diffuser cover and adjust the opening and closing force controls (see control board diagram) to their lowest possible force level while still maintaining reliable door operation in the opening and closing directions.

5.2 Adjust the controls clockwise for more force or anti-clockwise for less force.

6. CONNECTION OF THE PHOTO BEAM.

Connect the photo beam 24Vdc input supply to the appropriate terminals as per Fig. 8. Connect the normally open relay contacts of the photo beam to 'I' and 'OV' as per Fig 8. The cable can be fed through hole H (Fig. 9).

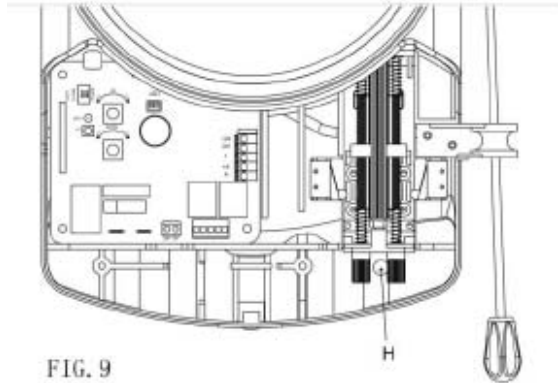


FIG. 9

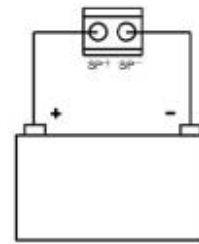


FIG. 10

7. CONNECTION OF A BACKUP BATTERY.

Connect the 24Vdc lead acid gel cell type battery to the appropriate connections (SP+ and SP-) on the control board as per Fig 10. The battery cables can be fed through hole H (Fig.9)

6. CODING THE HAND TRANSMITTERS.

Remove the light diffuser cover. Press K1 button on the control board, the coding light will come on. Press the desired button on the remote control transmitter for 2 seconds, the coding light will turn off, pause for 2 seconds, then press the same transmitter button again. The coding light will flash 8 times then turn off indicating the transmitter has been coded successfully. Repeat the procedure for additional remote control transmitters.

To delete all codes press and hold button K1 down for approximately 8-10 seconds (code light will come on and then go off indicating a successful delete).

The SlimGlide operator can store up to 20 remotes.

Packing List

ACDC Slim Glide roller door motor	x 1
Remote controls	x 2
Wall bracket for remote control	x 1
Weight bar	x 1
Installation Manual	x 1

TECHNICAL DATA

Mains Input Voltage: 220 Vac - 240Vac 50 HZ

Controller & motor voltage: 24Vdc

Rated power: Maximum 100W

Rated lifting force: 200N (20 kg)

Working Temperature -5 to +40

Operator limits travel: 4 rotations of door drum wheel

Receiver type 433.93 MHZ ASK rolling code

COMMON TROUBLE SHOOTING

Symptom	Possible reason	Solution
The door does not move	Main power off	Switch on the main power
The door won't reverse when obstructed	The close force of the motor is set to high	Reduce the closing force
The door reverses automatically when closing	The closing force of the motor is set to low.	Increasing the close force
	There could be an obstruction door guides or under the door.	Remove obstruction
The door stops automatically when opening	The open force of the motor is set to low.	Increase the open force
The operator can be controlled by O/S/C button but not transmitter	Hand transmitter not working	The battery is low.
The door can't fully close	Improper limit position	Reset the limit position
The door can't fully open	Improper limit position	Reset the limit position
The door can fully close but reverses automatically	Improper limit position	Reset the limit position
The door can fully open but still moving up	Improper limit position	Reset the limit position
The motor runs but the door won't move	Manual release is dis-engaged	Push up the release handle

HEAD OFFICE & SHOWROOM

**120 WALKER ST
HELENSBURGH NSW 2508
P.H: (02) 4294 9722
FAX:(02) 4294 9733
WWW.ACDGMS.COM.AU**

POSTAL ADDRESS

**P.O.BOX 102
HELENSBURGH NSW 2508**