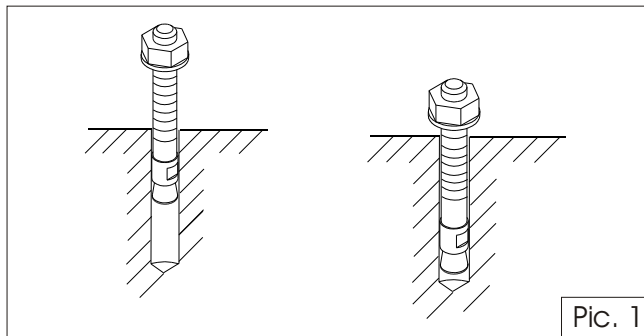


# POSTO 20 INOX POSTO 22 PAINTED

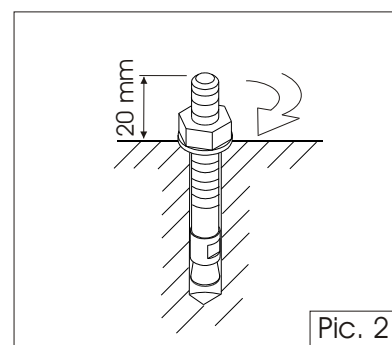
FITTING INSTRUCTIONS FOR THE COLLAPSIBLE PARKING POST  
A CUSTOM-TOOTHED KEY ALLOWS MANUAL OPERATIONS

## DESCRIPTION OF THE INSTALLATION AND FIXING OPERATIONS

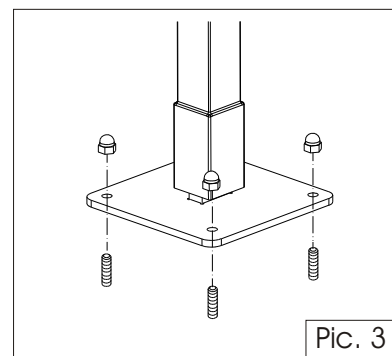
1 - Drill four holes in a concrete foundation at a suitable distance and pitch to take four steel bolts (not included with the equipment) to firmly anchor the fixing base plate to the foundation.



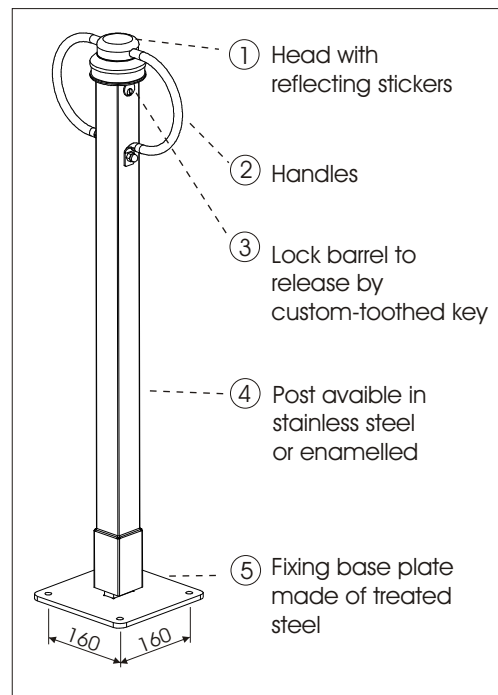
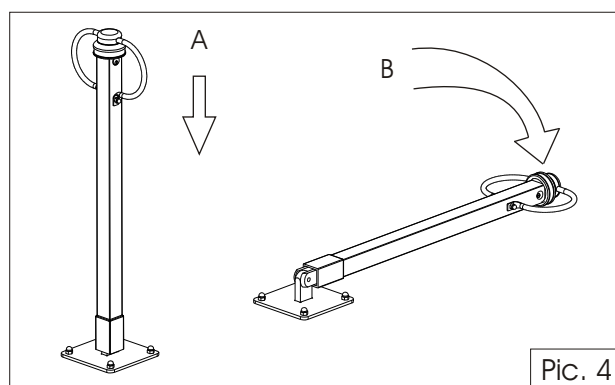
2 - TIGHTENING THE FIXING BOLTS: Insert the threaded bolt which is to be driven at a suitable depth to provide a good hold for the post base plate -5- (as an indication the threaded part should stand 20 mm from ground level; now tighten the nut to firmly fasten the bolt. Unscrew and remove the nut and the washer. Repeat the same operations with all the bolts.



3 - Fit **POSTO** so that the holes in the post base plate coincide with the anchoring threaded bolts previously set in the foundation and fix by four nuts and washers (not included).  
Stainless steel grommet nuts (not included) are recommended for a professional installation and better performance.



4 - UNLOCKING AND RECLINING: Insert the key in the lock barrel (3), slightly pull the post downwards, then turn the key; **POSTO** will spring upwards, hold the handles (2), finally disengage the post from the bottom hinge and pull it down. Remove the key.  
VERTICAL LOCKING: No key is needed: pull **POSTO** upright by holding the handles (2) fitted to it; once in its vertical position, pull it downwards to re-lock.



GB

Via Mantova 177/A - 37053 Cerea (Verona) Italy Tel. 0442 330422 - Fax 0442 331054 e-mail: info@fadini.net - www.fadini.net

Drwg. No. 3852

FITTING INSTRUCTIONS FOR **POSTO** THE PARKING POST

 **meccanica  
FADINI**