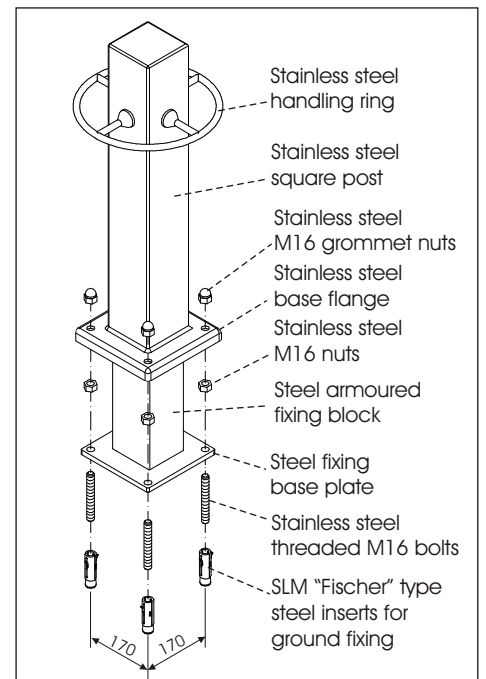
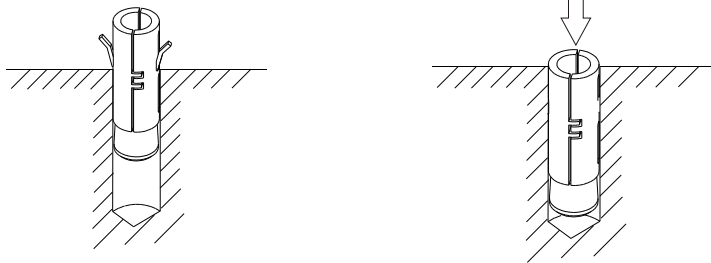


# SICU 18 INOX

STATIC STAINLESS STEEL SQUARE POST FOR TRAFFIC CONTROL

## DESCRIPTION OF FITTING AND FIXING OPERATIONS

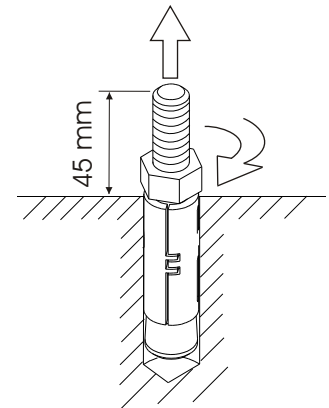
1- Drill four holes in the pavement to match the distance and pitch of the holes in the fixing base plate; as next step, fit SLM "Fischer" type expanding steel inserts flush with pavement finish level.



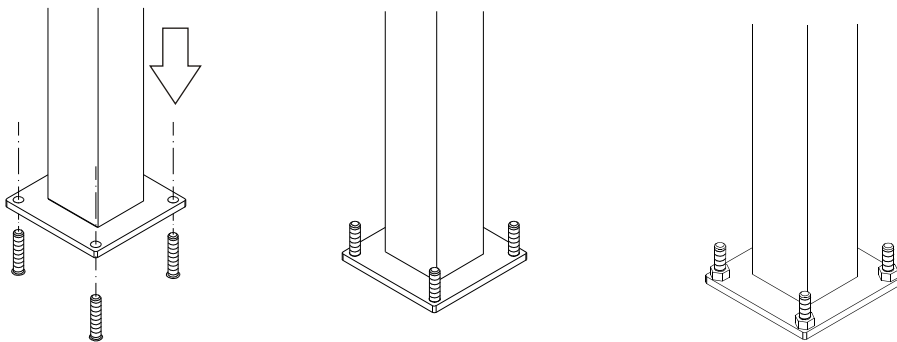
2- **TIGHTENING THE BOLTS:** Fit the four M16 stainless steel threaded bolts to the four fixing steel inserts and screw them to jut out 35 to 40 mm; tighten the M16 stainless steel nut so that the bolt can fit the insert very firmly jutting out approx. 45 mm max. from pavement level.

Unscrew and remove the stainless steel M16 nut.

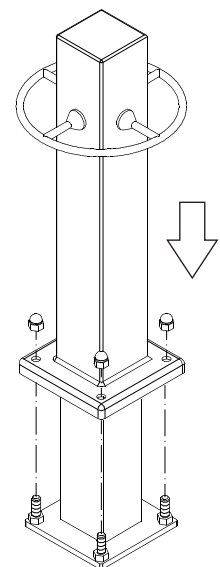
Do the same operations with all four stainless steel bolts.



3- Position the fixing block, armoured core with base plate, on to the four stainless steel bolts; fasten it by tightening the four M16 stainless steel nuts very hard.



4- Mount the stainless steel square section post on to the fixing block by means of the useful handling ring fitted to it; eventually tighten the four stainless steel M16 grommet nuts.



GB

Via Mantova 177/A - 37053 Cerea (Verona) Italy Tel. 0442 330422 - Fax 0442 331054 e-mail: info@fadini.net - www.fadini.net



Drwg. No. 3849

INSTRUCTIONS TO FIT SICU 18  
ARMOURED STAINLESS STEEL POST



meccanica  
**FADINI**