

# SICU inox

- Stainless steel square post
- Armoured, fixed to the ground
- To protect shop entry and windows

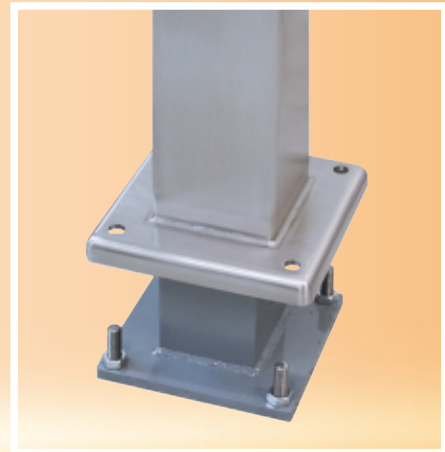
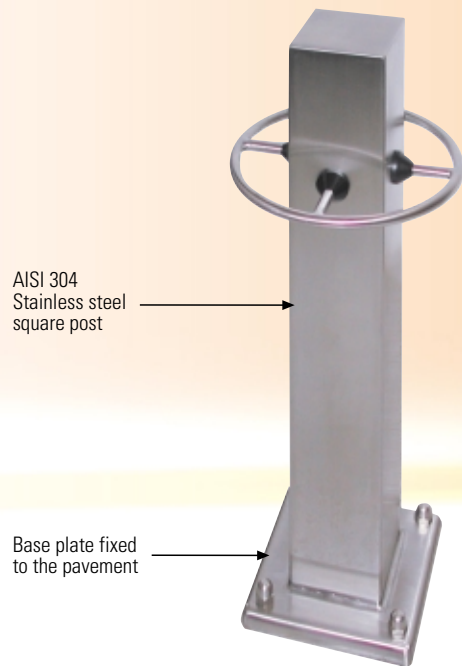


It is an armoured, stainless steel square post which is fixed to the pavement to protect shop windows.

The nice neat design will not spoil the aesthetics of the place and, like the removable one, Sibli, it has burglar-proof, ram raid preventing features by incorporating a solid body inside, made of armoured steel.



## Technical specifications



A detail of the internal body made of armoured, rust-treated steel.

## Dimensions and component parts

